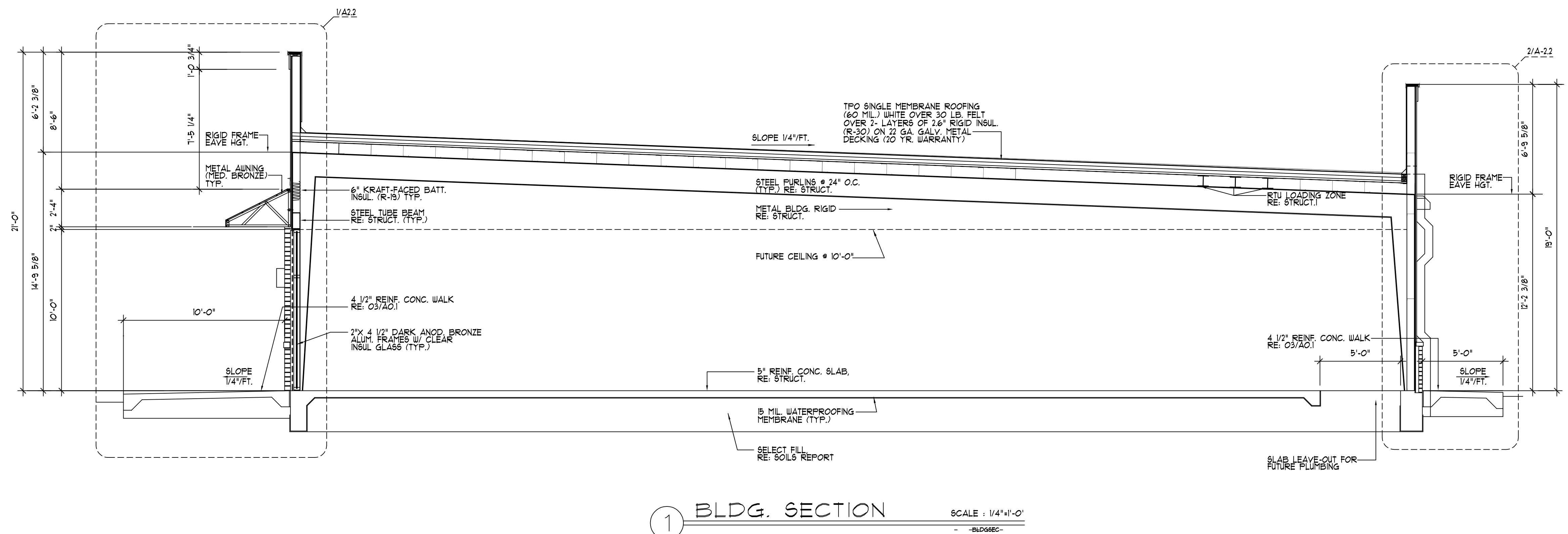
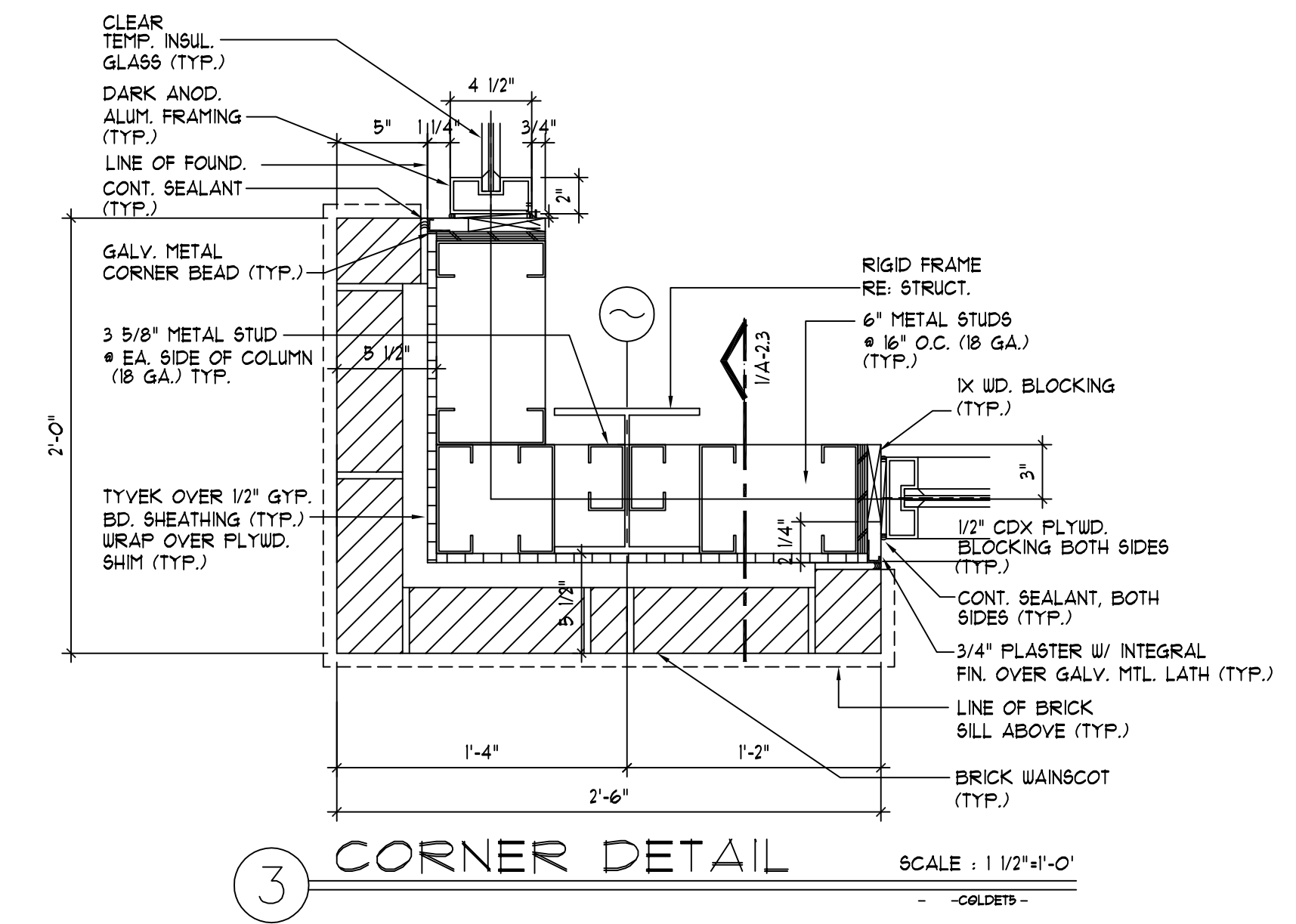
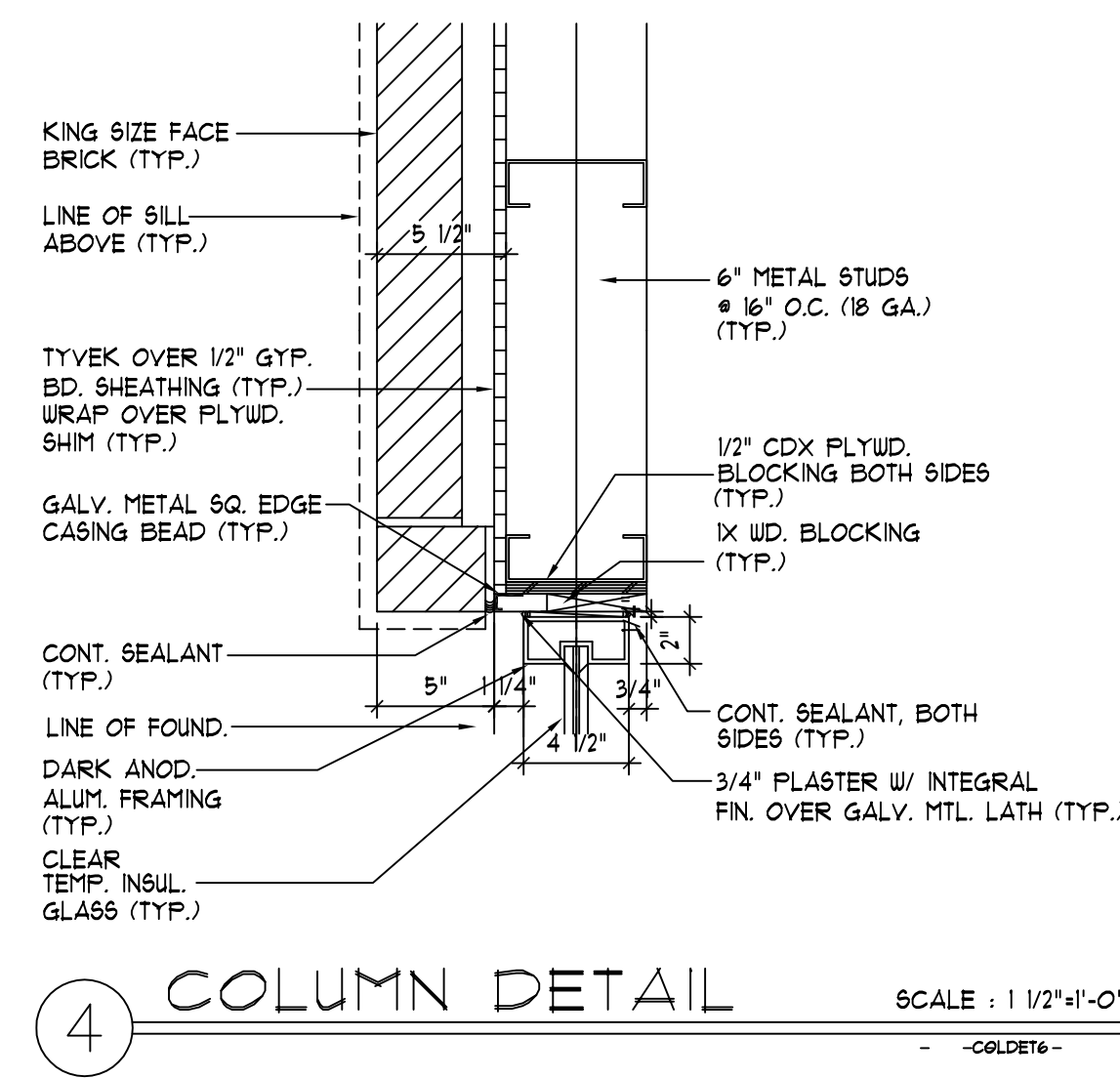
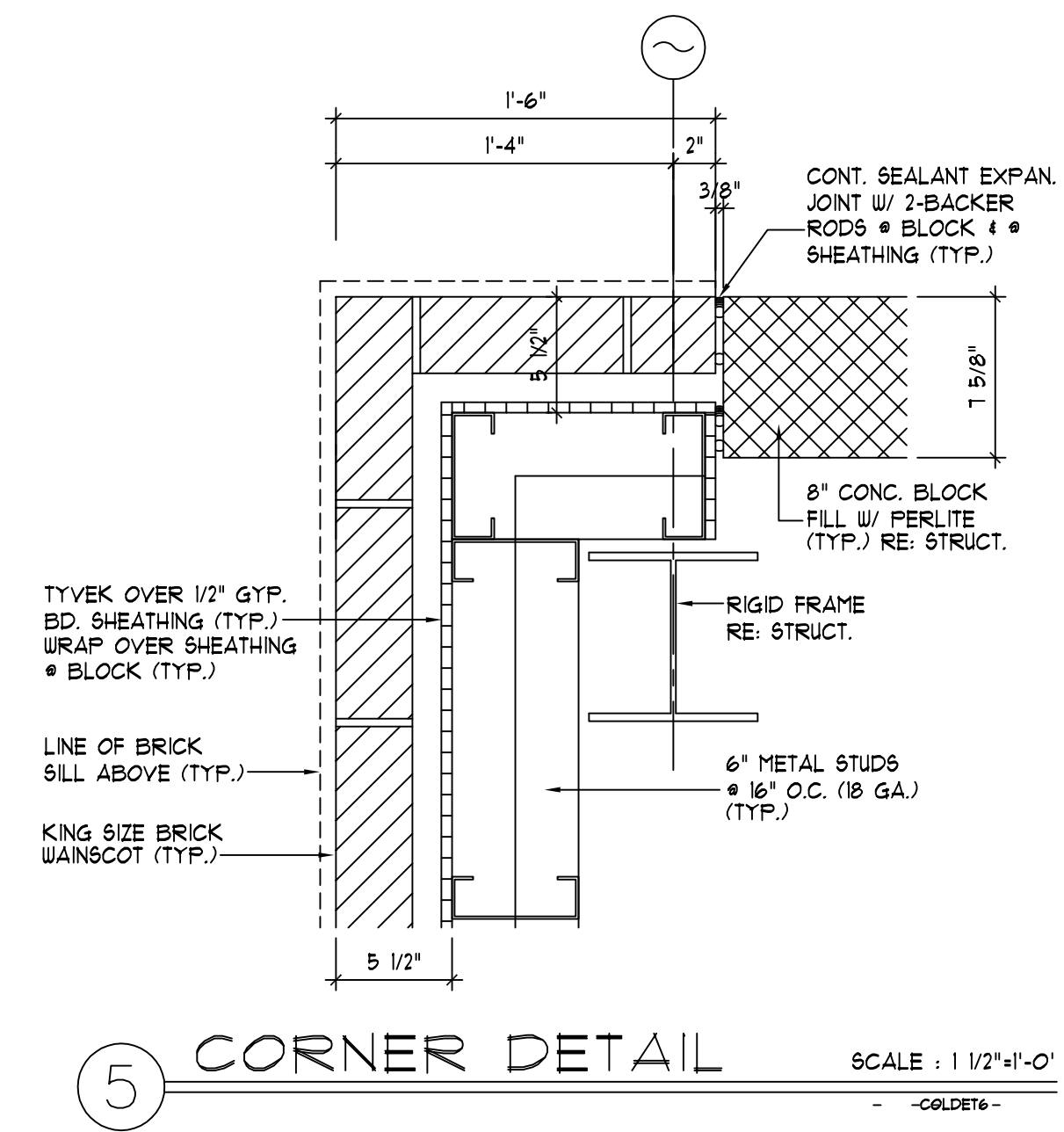


DATE OF SIGNATURE 04.09.19



ENGINEER SEAL & LOGO:

THE SHOPS @
SEDONA LAKES
CENTER

1875 CR 101
MANVEL, TEXAS 77578

PROJECT NAME & LOCATION:

ISSUED FOR	DATE
BID	-
PERMIT	05.20.19
CONSTRUCTION	-

REVISIONS	
DATE	DESCRIPTION
01.30.19	REVIEW
02.01.19	REVIEW
02.01.19R2	REVIEW
02.04.19	REVIEW
02.06.19	REVIEW
02.07.19	REVIEW
02.25.19	REVIEW
03.12.19	REVIEW
04.09.19	ARC SUBMITTAL
05.01.19	ARC RE-SUBMITTAL
05.16.19	ARC RE-SUBMITTAL
05.20.19	ARC RE-SUBMITTAL

PROJECT NO.
18-38

SHEET TITLE
BUILDING CROSS
SECTION & DETAILS

SHEET NO.

A-2.1

SHEET 8 OF 31