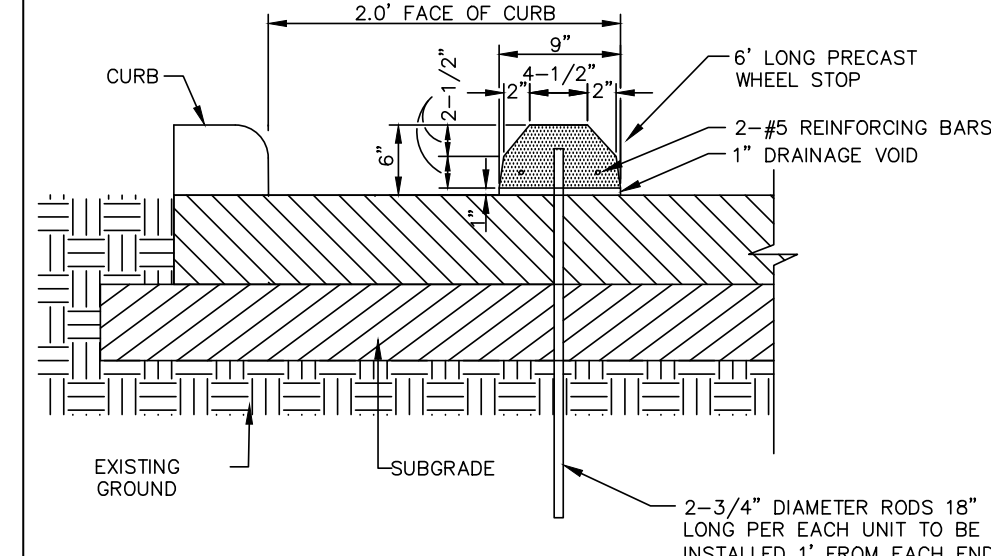


HANDICAP SURFACE PAINT DETAIL
N.T.S.



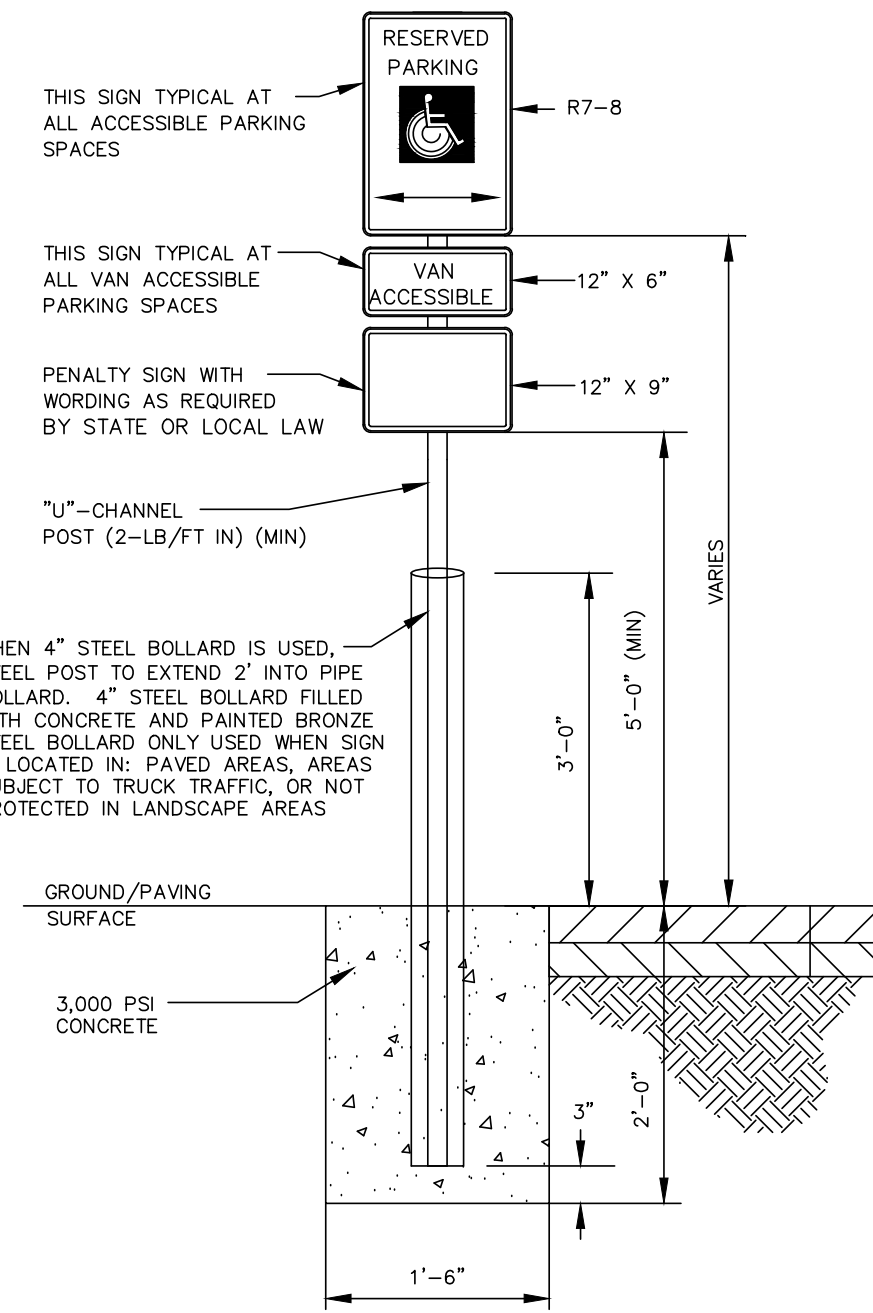
WHEEL STOP
N.T.S.

NOTES:

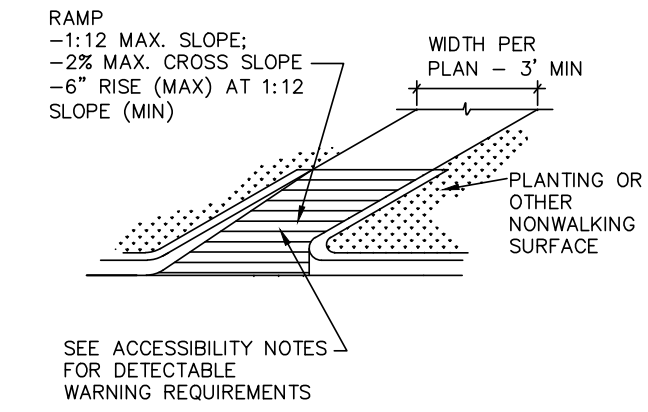
1. PROVIDE IN ACCORDANCE WITH THE TEXAS ACCESSIBILITY STANDARDS (TAS)
2. INSTALL WHERE HANDICAP STALLS ARE INDICATED ON PLAN
3. VAN ACCESSIBLE SIGNAGE ON VAN SPACES ONLY - SEE PLAN FOR LOCATION

COLOR CHART

BLUE: LETTERS, BORDER, & SYMBOL
WHITE: SIGN BACKGROUND



ACCESSIBLE PARKING SIGN
N.T.S.



CURB RAMP DETAIL - SQUARE SIDES
N.T.S.

ACCESSIBILITY NOTES:

1. ALL ACCESSIBLE SPACES AND ACCESSIBLE ROUTES SHALL COMPLY WITH THE TEXAS ACCESSIBILITY STANDARDS (TAS) AND CITY/COUNTY REQUIREMENTS.
2. ACCESSIBLE PARKING SPACES AND DRIVE AISLES SHALL BE LEVEL WITH SURFACE SLOPES NOT EXCEEDING 1:48 (2.08%) IN ALL DIRECTIONS. CURB RAMPS SHALL BE PROVIDED AT ALL PASSENGER LOADING ZONES.
3. EACH ACCESSIBLE PARKING SPACE SHALL BE DESIGNATED AS RESERVED BY AN APPROPRIATE SIGN SHOWING THE SYMBOL OF ACCESSIBILITY PER TAS SECTION 216.5. SPACES COMPLYING WITH TAS SECTION 502.6 SHALL HAVE AN ADDITIONAL SIGN "VAN-ACCESSIBLE" MOUNTED BELOW THE SYMBOL OF ACCESSIBILITY.
 - A. SIGNS SHALL BE LOCATED 60" MIN. ABOVE THE GROUND, FLOOR, OR PAVING SURFACE MEASURED TO THE BOTTOM OF THE SIGN SO THEY CANNOT BE OBSCURED BY A VEHICLE PARKED IN THE SPACE.
 - B. SIGNS LOCATED WITHIN AN ACCESSIBLE ROUTE SHALL COMPLY WITH TAS SECTION 307.4.
 - C. CHARACTERS AND SYMBOLS ON OVERHEAD SIGNS SHALL COMPLY WITH TAS SECTION 703.5.
4. SLOPES OF CURB RAMPS SHALL COMPLY WITH TAS SECTION 405.2. TRANSITIONS FROM RAMPS TO WALKS, GUTTERS, OR STREETS SHALL BE FLUSH AND FREE OF ABRUPT CHANGES. MAXIMUM SLOPES OF ADJOINING GUTTERS, ROAD SURFACE IMMEDIATELY ADJACENT TO THE CURB RAMP, OR ACCESSIBLE ROUTE SHALL NOT EXCEED 1:20.
5. SURFACES OF CURB RAMPS SHALL COMPLY WITH TAS SECTIONS 405.4 AND 302.1.

CURB RAMPS IN PUBLIC RIGHT-OF-WAY

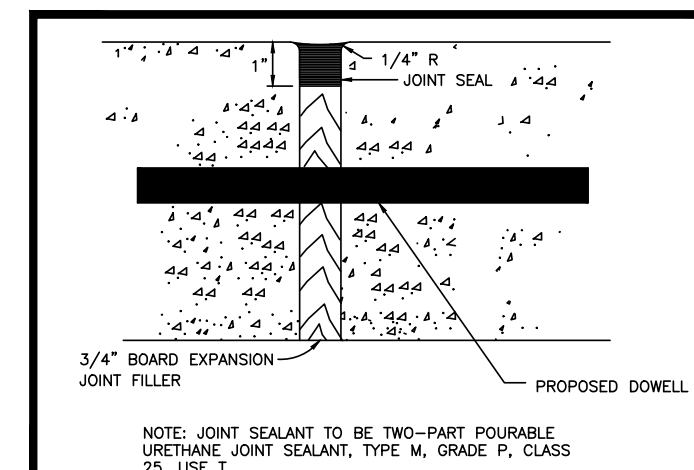
ALL CURB RAMPS SHALL COMPLY WITH ARCHITECTURAL BARRIERS ADMINISTRATIVE RULE 68.102(B)(2).

- A. DETECTABLE WARNING STRIP SHALL EXTEND A MINIMUM OF 24" IN DEPTH (IN DIRECTION OF PEDESTRIAN TRAVEL)
- B. DETECTABLE WARNING STRIP SHALL EXTEND THE FULL WIDTH OF THE CURB RAMP OR LANDING.

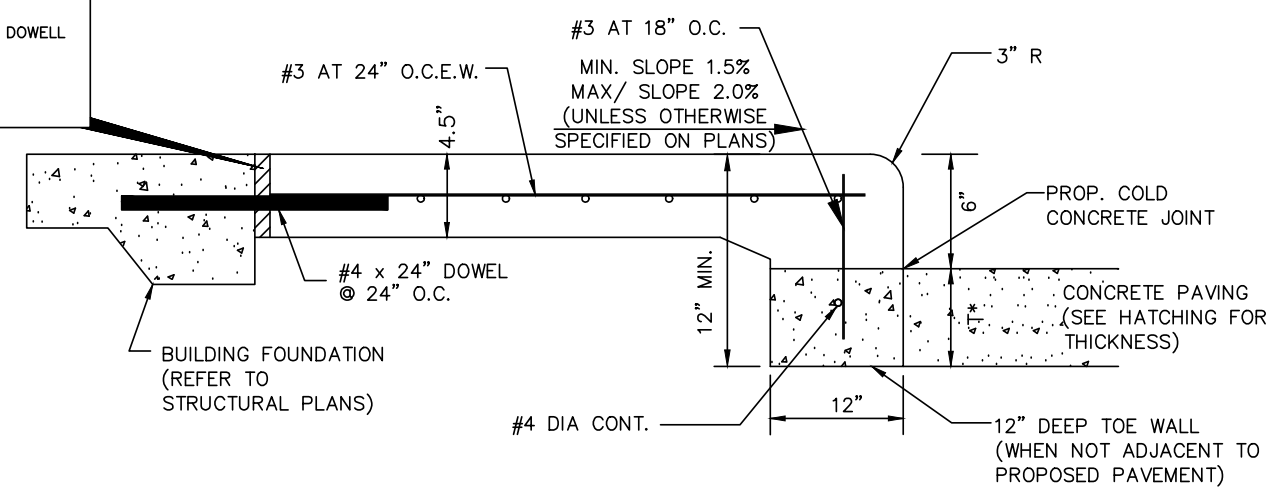
CURB RAMPS NOT IN PUBLIC RIGHT-OF-WAY

ALL CURB RAMPS NOT CONSTRUCTED IN PUBLIC RIGHT-OF-WAY SHALL COMPLY WITH TAS 406.

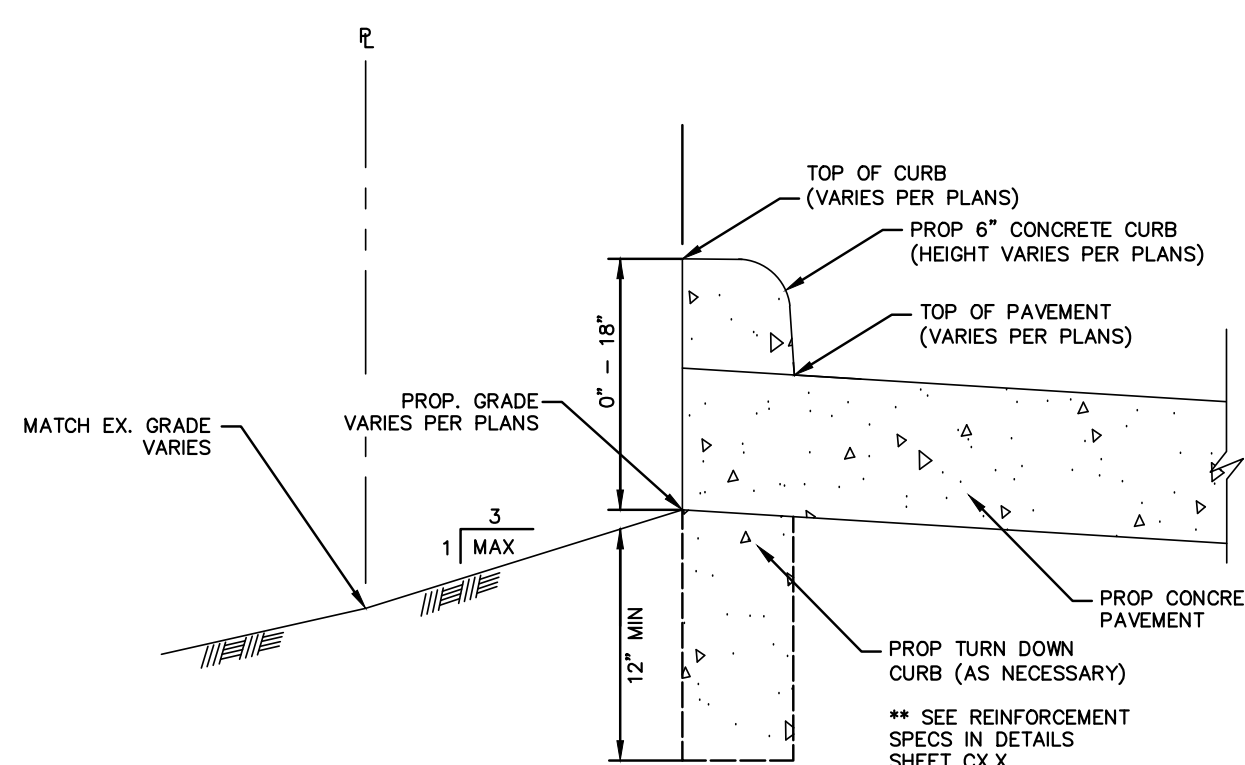
- A. DETECTABLE WARNING STRIPS ARE NOT REQUIRED ON CURB RAMPS NOT IN PUBLIC RIGHT-OF-WAY.



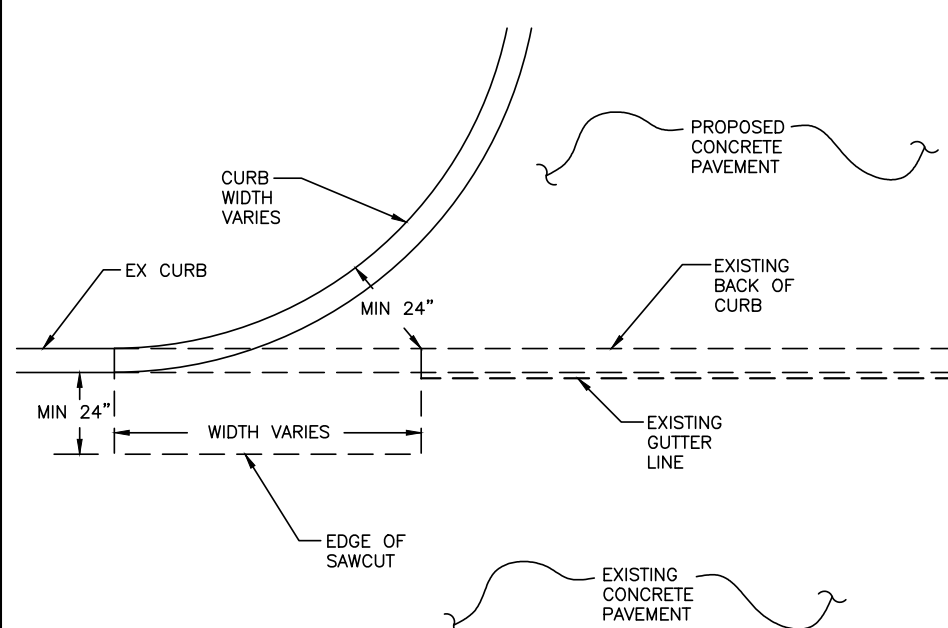
BUILDING PERIMETER SIDEWALK
N.T.S.



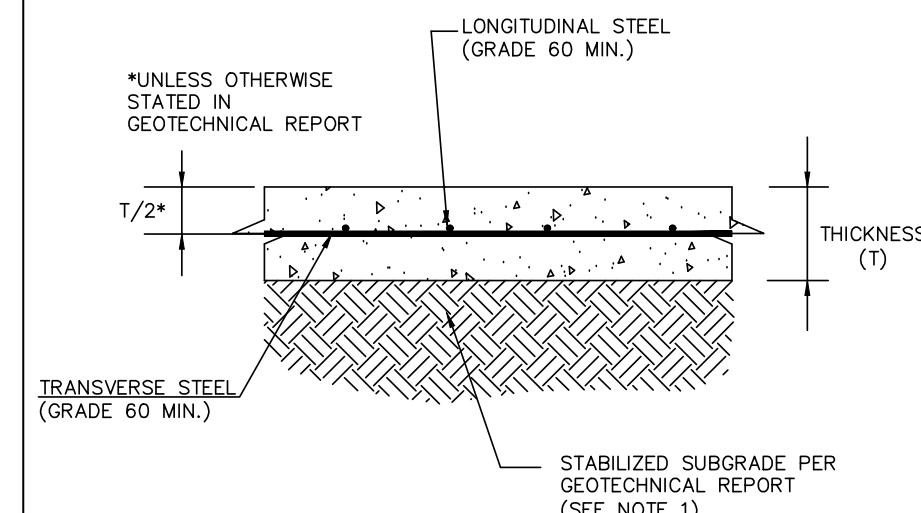
* = FOR REQUIRED PAVEMENT/SUBGRADE THICKNESS, SEE HATCHING ON PLAN, REFERENCE GEOTECHNICAL REPORT FOR SPECIFICATIONS.



TYPICAL TURNDOWN CURB DETAIL
N.T.S.



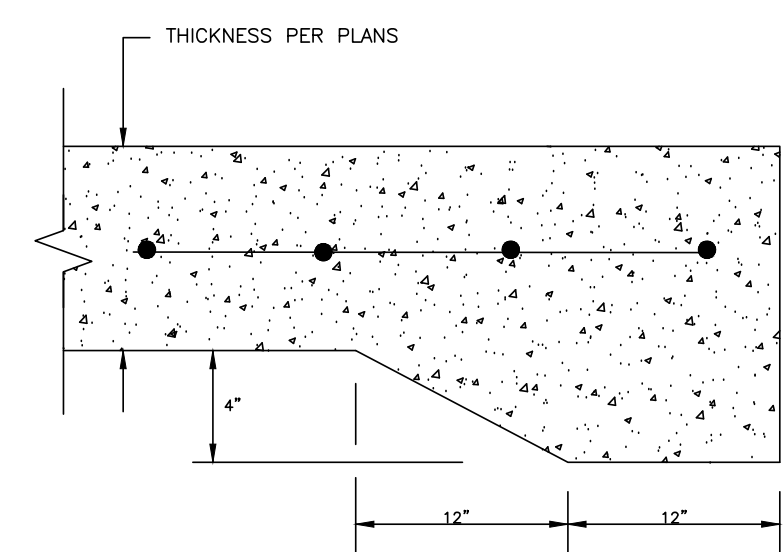
SAWCUT DETAIL
N.T.S.



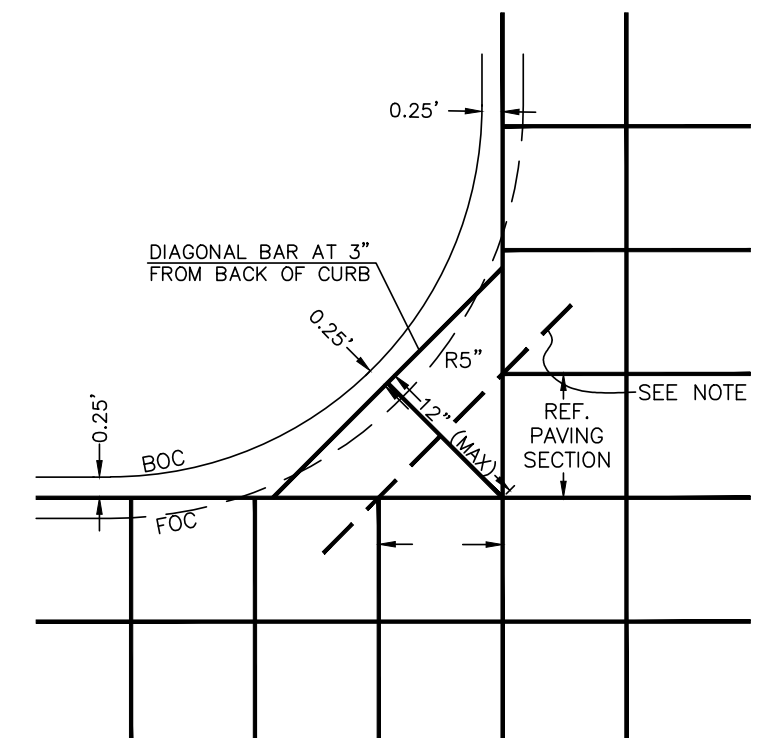
CONCRETE PAVING SECTION
N.T.S.

GENERAL NOTES:

1. SEE GEOTECH REPORT TO BE PROVIDED BY OWNER FOR ALL RECOMMENDATIONS. THIS IS PROVIDED FOR PICTORIAL REPRESENTATION ONLY.
2. IN THE EVENT THE GEOTECHNICAL REPORT DOES NOT SPECIFY, THE FOLLOWING CRITERIA SHALL BE APPLIED:
 - A. **LONGITUDINAL & TRANSVERSE STEEL:**
LIGHT DUTY: #4 @ 24" O.C.E.W. OR #3 @ 18" O.C.E.W.
MEDIUM DUTY: #4 @ 18" O.C.E.W. OR #3 @ 12" O.C.E.W.
HEAVY DUTY: #4 @ 18" O.C.E.W.
 - B. SUBGRADE SHALL BE LIME/FLY ASH STABILIZED TO A MIN. DEPTH OF 6" IN CONFORMANCE WITH TxDOT 2004 STANDARD SPECIFICATIONS ITEM 260



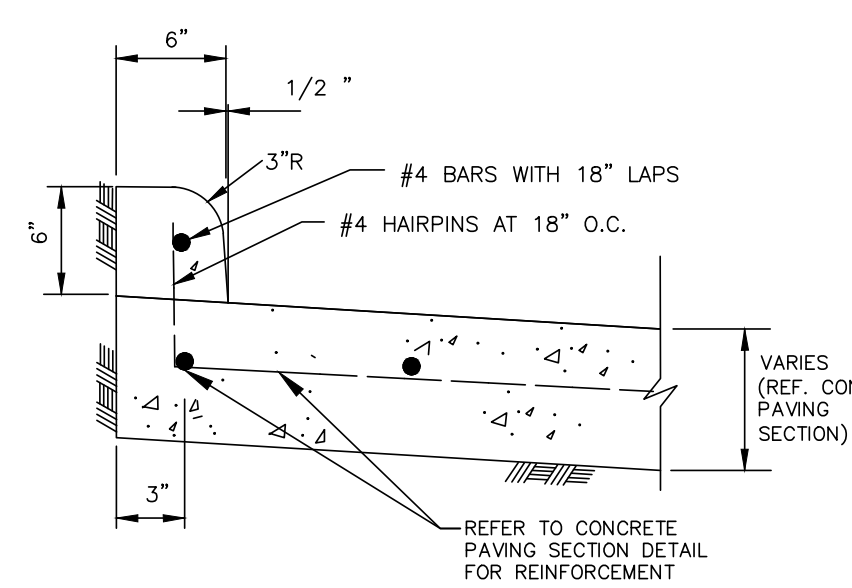
STANDARD PAVING HEADER
N.T.S.



NOTES:

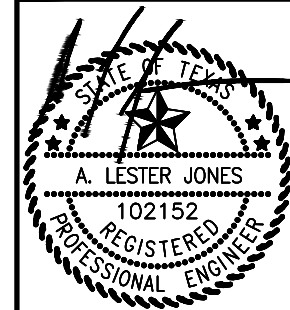
1. CONTRACTOR TO ADD EXTRA DIAGONAL BAR IF DISTANCE TO NEAREST CORNER EXCEEDS 12".
2. FOR RADIUS OVER 10', CONTRACTOR TO PLACE LONG BAR AT 3" FROM BACK OF CURB ALONG ENTIRE RADIUS.

BAR SCHEMATIC FOR SMALL RADIUS CURVE
N.T.S.



1. PROVIDE EXPANSION JOINTS AT ALL CURVES, TANGENTS AND CORNERS.
2. SUBGRADE TO EXTEND 1' PAST BACK OF CURB.
3. SACK FINISH EXPOSED SURFACES.
4. FINISH TO BE ACCOMPLISHED BY FLOATING, STEEL TROWELLING AND THEN BRUSHING. HAND FINISH NOT REQUIRED WHEN CURB IS NOT POURED BY A MACHINE, BUT CURB WILL HAVE THE SAME OUTSIDE DIMENSIONS, AND HAVE A BRUSHED FINISH.

6" CONCRETE CURB
N.T.S.



29 MAY 2019

ALL PROJECT NO. 1807-15-CV-007
DATE: MAY 2019
SCALE: N/A
DRAWN BY: LFC
CHECKED BY: CHR

CONSTRUCTION DETAILS (1 OF 3)

**SEDONA LAKES
RETAIL DEVELOPMENT**
1875 CR 101
BRAZORIA COUNTY, TEXAS 77578

SHEET
C7.0

DATE

REVISIONS

No.