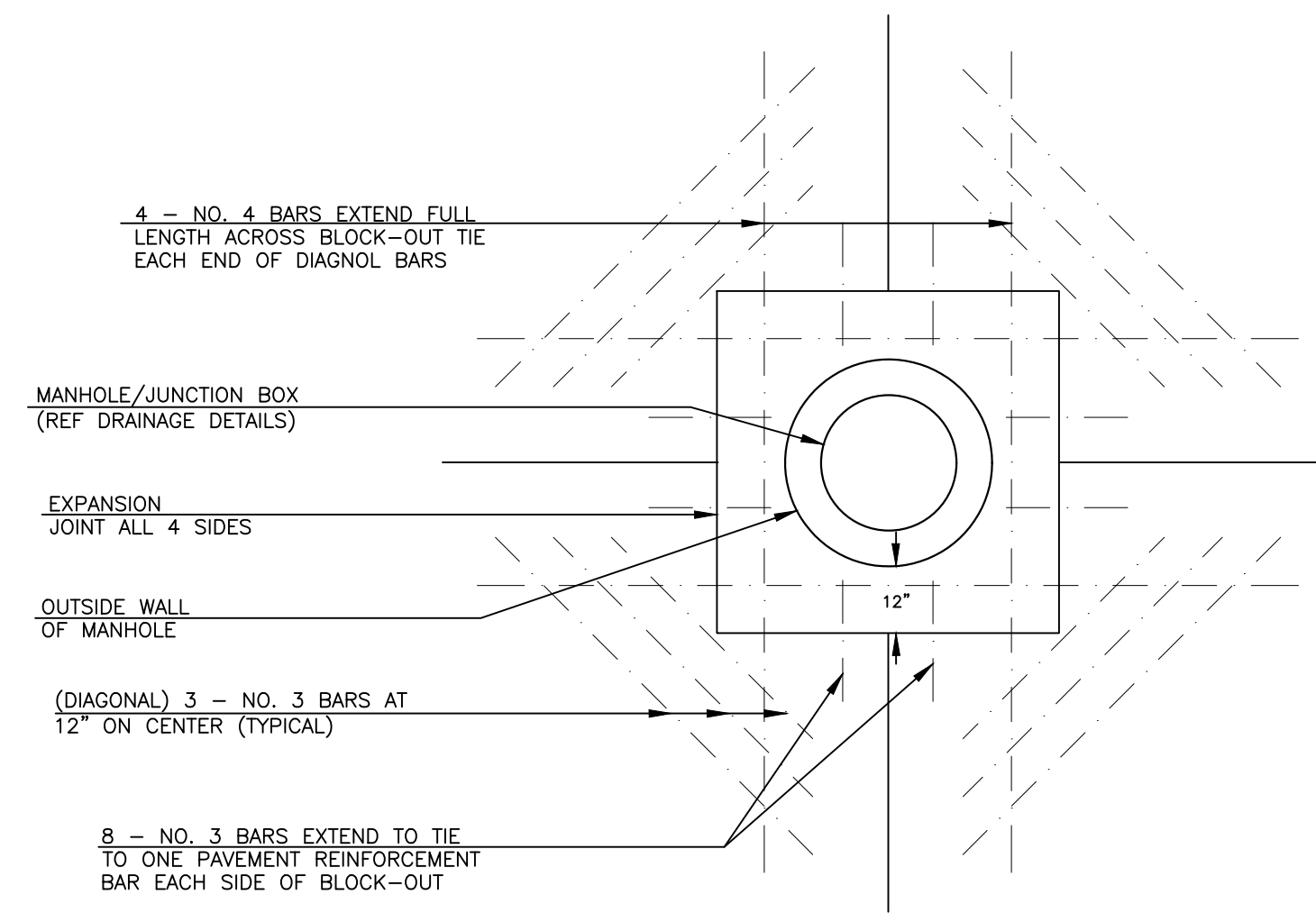


GRATE INLET CONCRETE BLOCKOUT

N.T.S.

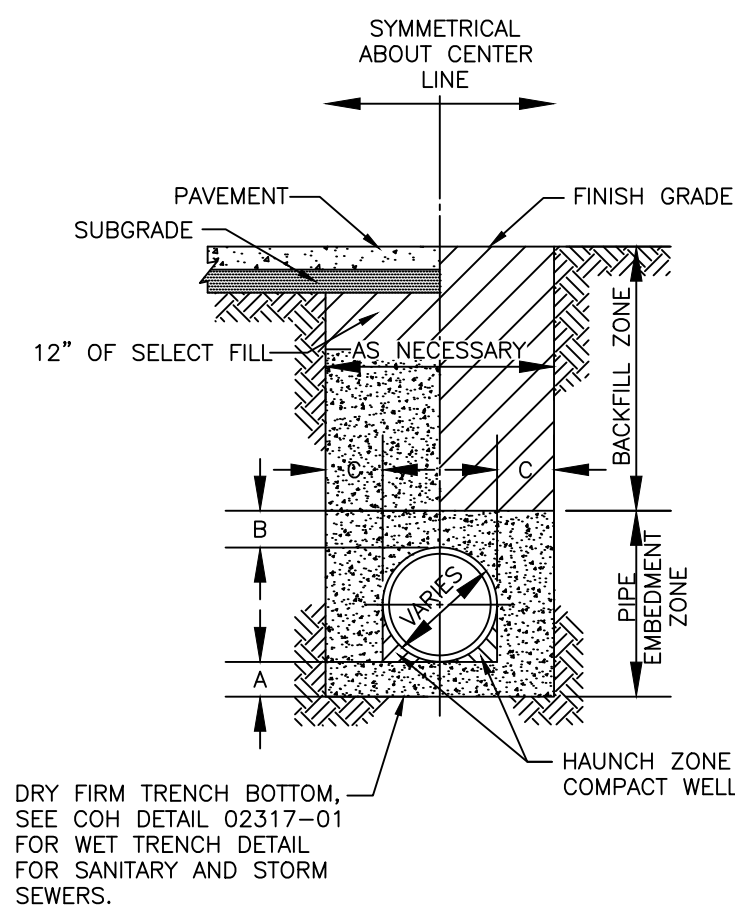


MANHOLE CONCRETE BLOCKOUT

N.T.S.

DIMENSIONAL REQUIREMENTS

PIPE SIZE	A	B	C
20" AND SMALLER	6"	12"	9"
21" THRU 48"	6"	12"	12"
54" THRU 66"	9"	12"	15"
72" AND LARGER	12"	18"	15"



WATER, SANITARY AND STORM BEDDING AND BACKFILL FOR DRY STABLE TRENCH

N.T.S.

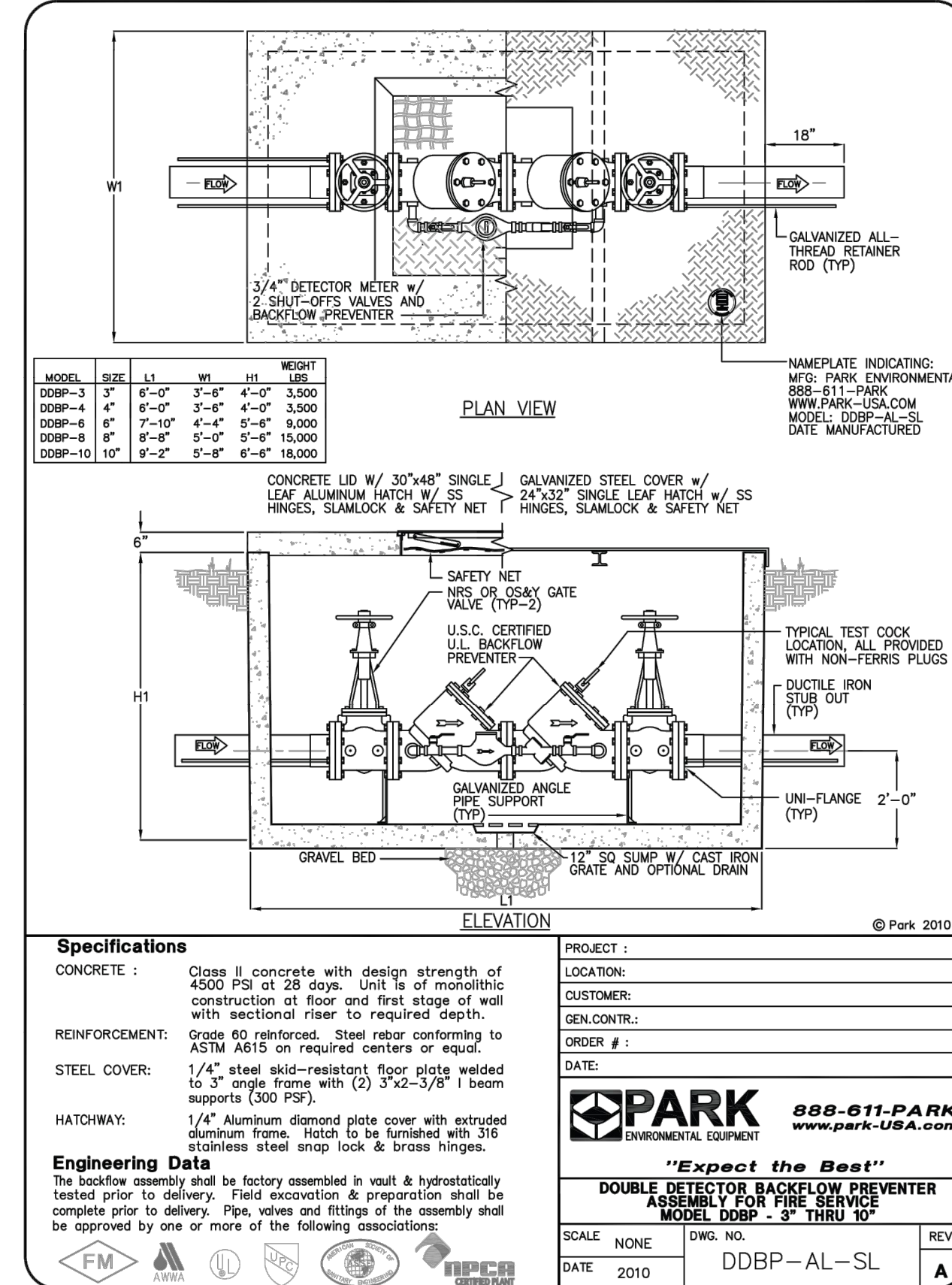
MATERIAL REQUIREMENTS

BACKFILL ZONE

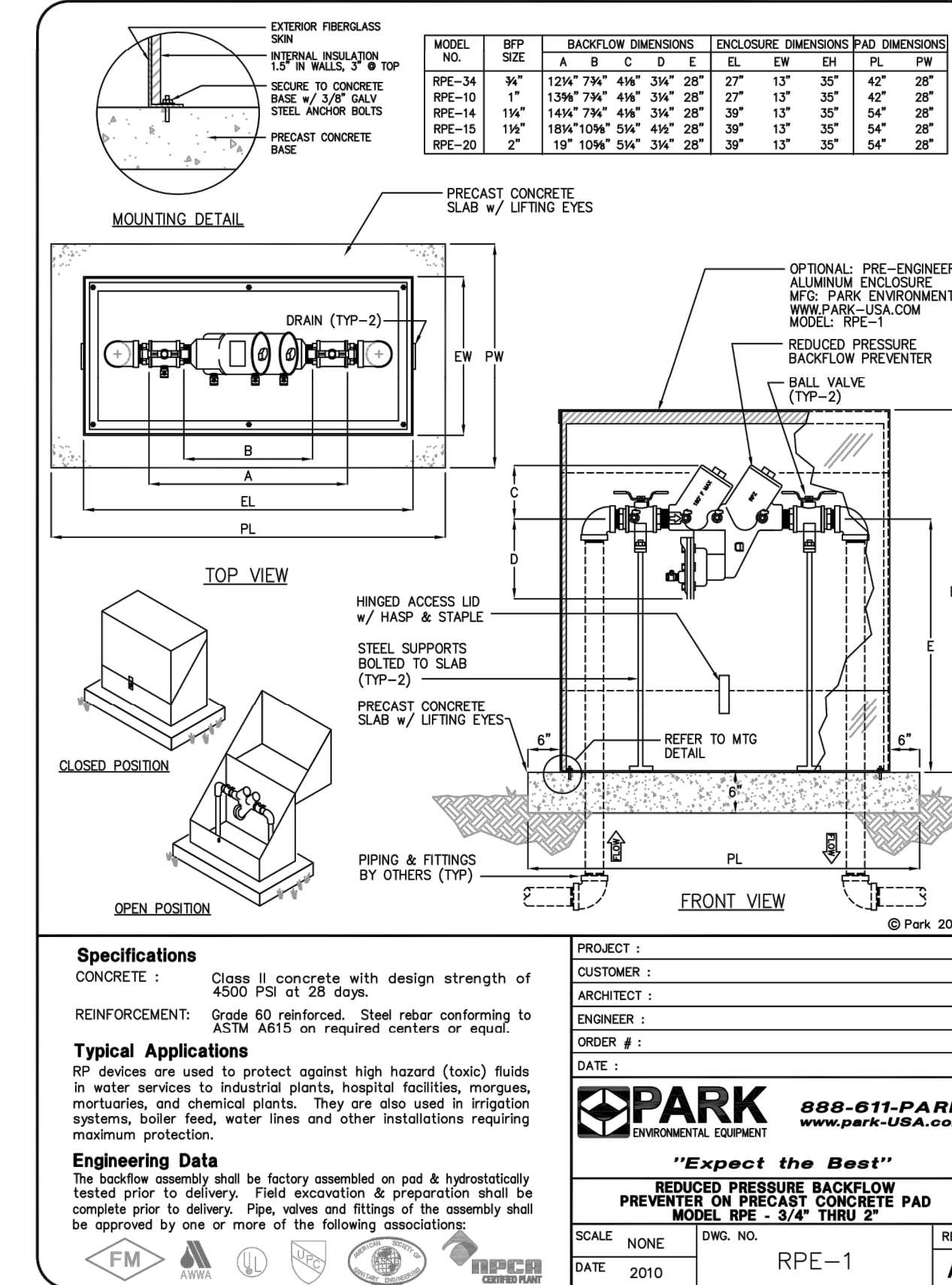
1. IN PAVED AREAS, USE CEMENT STABILIZED SAND, PLACE IN 8" LIFTS AND COMPACT TO 95% STANDARD PROCTOR DENSITY, TO WITHIN 12" OF SUBGRADE.
2. IN UNPAVED AREAS, USE SOIL EXCAVATED FROM TRENCH, PLACE IN 8" LIFTS AND COMPACT TO 95% STANDARD PROCTOR DENSITY.

PIPE EMBEDMENT ZONE

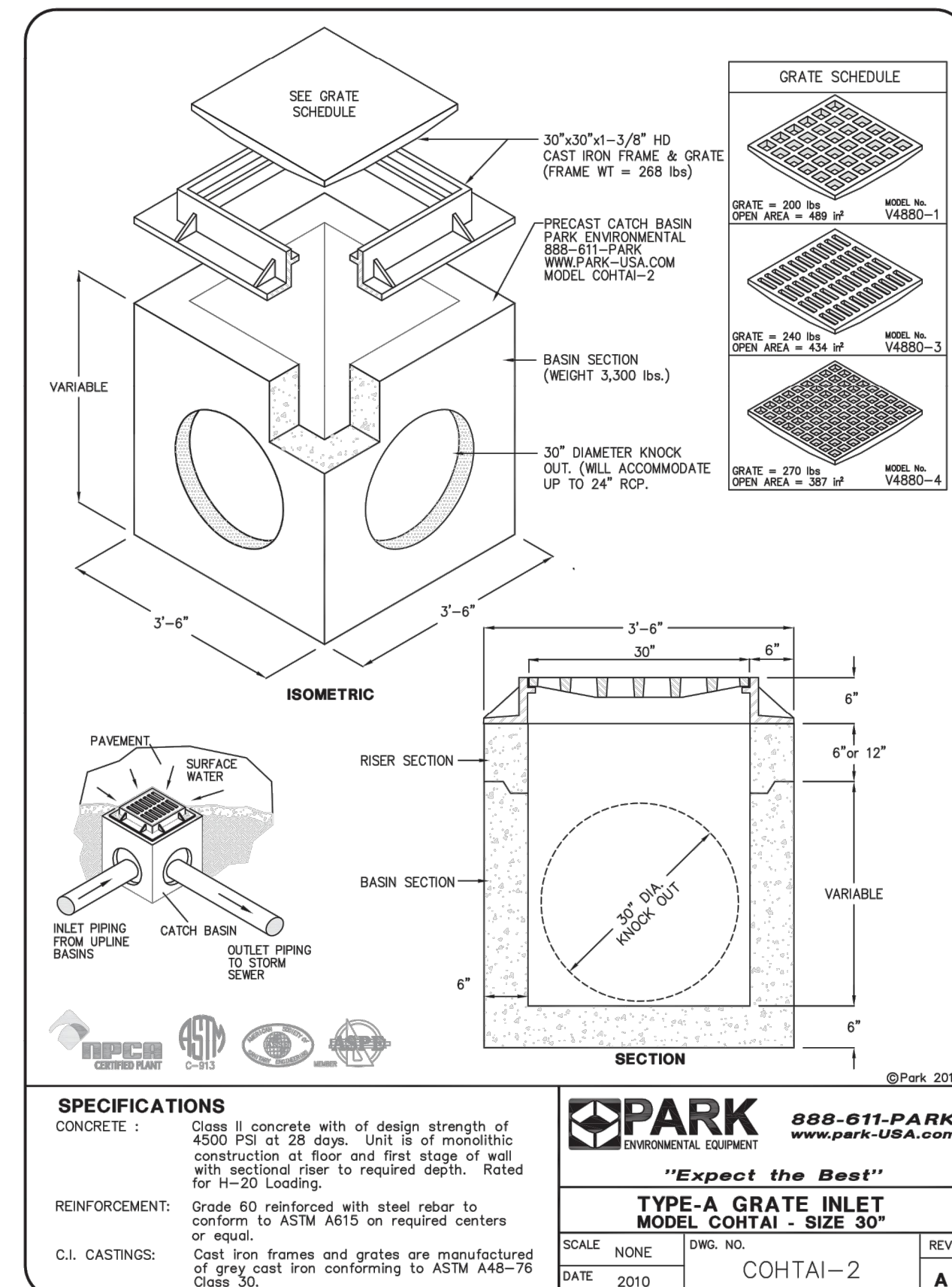
1. FOR STORM AND SANITARY SEWERS, USE CEMENT STABILIZED SAND, PLACE IN 8" LIFTS AND COMPACT TO 95% STANDARD PROCTOR DENSITY.
2. FOR WATER LINES, USE SAND, PLACE IN 8" LIFTS AND COMPACT TO 95% STANDARD PROCTOR DENSITY.



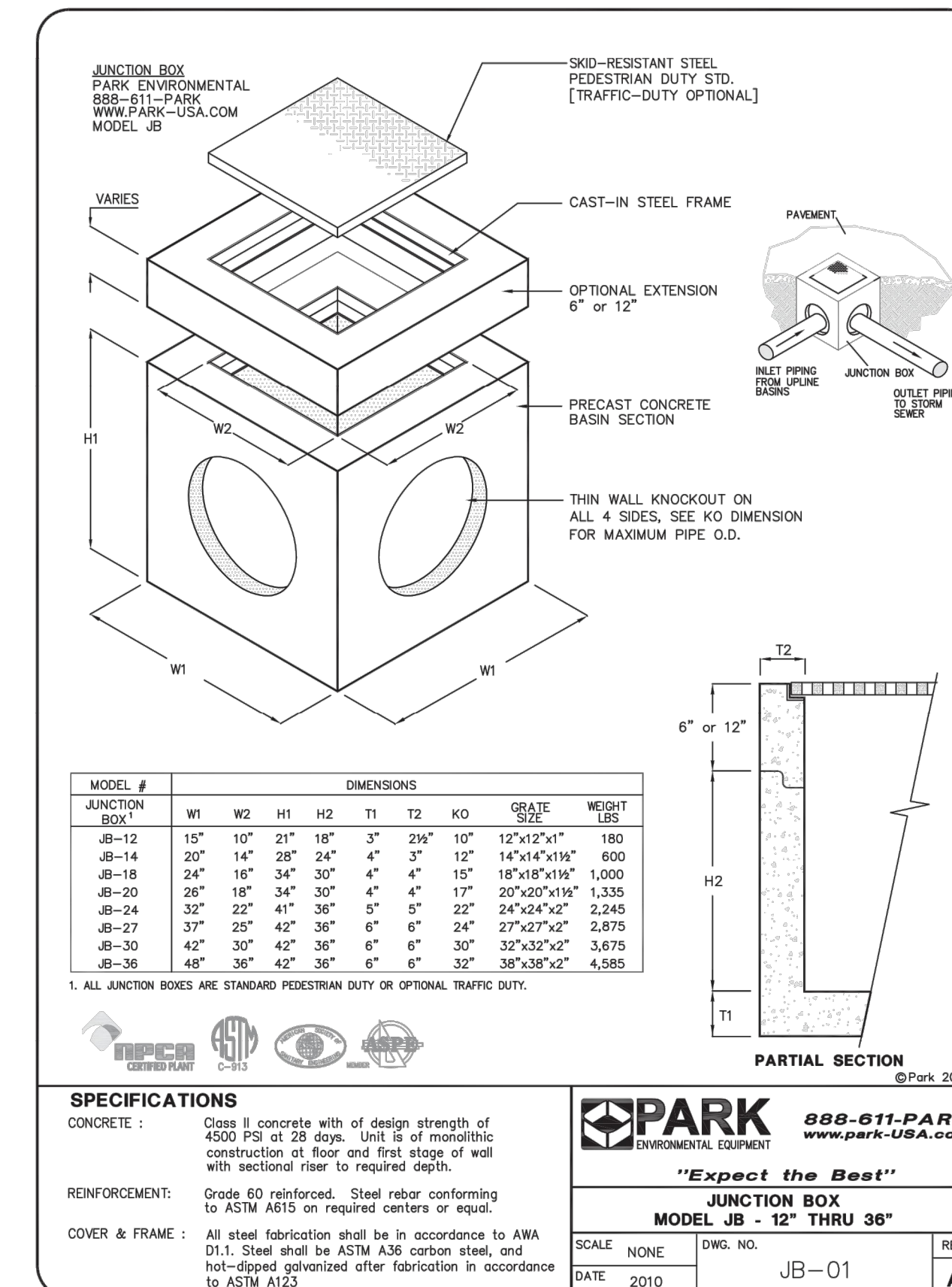
All drawings are available for download at www.park-usa.com in .dwg & .pdf formats



All drawings are available for download at www.park-usa.com in .dwg & .pdf formats



All drawings are available for download at www.park-usa.com in .dwg & .pdf formats



All drawings are available for download at www.park-usa.com in .dwg & .pdf formats

AL PROJECT NO. 00819.EV.067
 DATE: AUGUST 2019
 SCALE: N/A
 DRAWN BY: LFC
 CHECKED BY: OMR

07 AUGUST 2019

ALJ Lindsey
 Civil Engineers & Surveyors
 281.301.5655
 FRN F-11226

A. LESTER JONES
 102152
 REGISTERED
 PROFESSIONAL ENGINEER

CONSTRUCTION DETAILS (2 OF 3)

SEDONA LAKES
 RETAIL DEVELOPMENT
 1875 CR 101
 BRAZORIA COUNTY, TEXAS 77578

SHEET C7.1