



3-27-19

The Shops at Sedona Lakes
Tract 1
Landscape Improvements
Marvel, TX

Irrigation					
Symbol	Description	Part#	Pressure	Flow	Radius
▲	Rain Bird 5H	5H	30	0.2	5
▼	Rain Bird 5Q	5Q	30	0.1	5
●	Rain Bird 5F	5F	30	0.4	5
■	Rain Bird 8F	8F	30	1.05	8
▣	Rain Bird 8TQ	8TQ	30	0.78	8
■	Rain Bird 8H	8H	30	0.52	8
◆	Rain Bird 8Q	8Q	30	0.26	8
●	Rain Bird 10F	10F	30	1.58	10
◊	Rain Bird 10TQ	10TQ	30	1.17	10
◡	Rain Bird 10H	10H	30	0.79	10
●	Rain Bird 10Q	10Q	30	0.39	10
⊙	Rain Bird 12F	12F	30	2.6	12
⊙	Rain Bird 12TQ	12TQ	30	1.3	12
▼	Rain Bird 12H	12H	30	1.3	12
▼	Rain Bird 12Q	12Q	30	0.65	12
○	Rain Bird 15F	15F	30	3.70	15
◊	Rain Bird 15TQ	15TQ	30	2.78	15
△	Rain Bird 15H	15H	30	1.85	15
▽	Rain Bird 15Q	15Q	30	0.93	15
■	Rain Bird 15SST	15SST	30	1.21	30
■	Rain Bird 15EST	15EST	30	.62	30
⬢	HUNTER AFB	BUBBLER			
⬢	HUNTER PGJ	ROTOR			
●	HUNTER PGP	ROTOR			
⊙	HUNTER MP1000	MP ROTATOR			
●	HUNTER MP2000	MP ROTATOR			
●	HUNTER MP3000	MP ROTATOR			
●	HUNTER MPEST	MP ROTATOR			
●	HUNTER MPSST	MP ROTATOR			
●	Fecco 860				
●	Rain Bird PEB				
▲	Hunter I-Core 1200-M win mini click				
▶	Nibco isolation valve				
■	1 inch meter				
---	Lateral Line				
---	1.5" Mainline - SCH 40				
■	PVC SLEEVE - Size noted on plan				

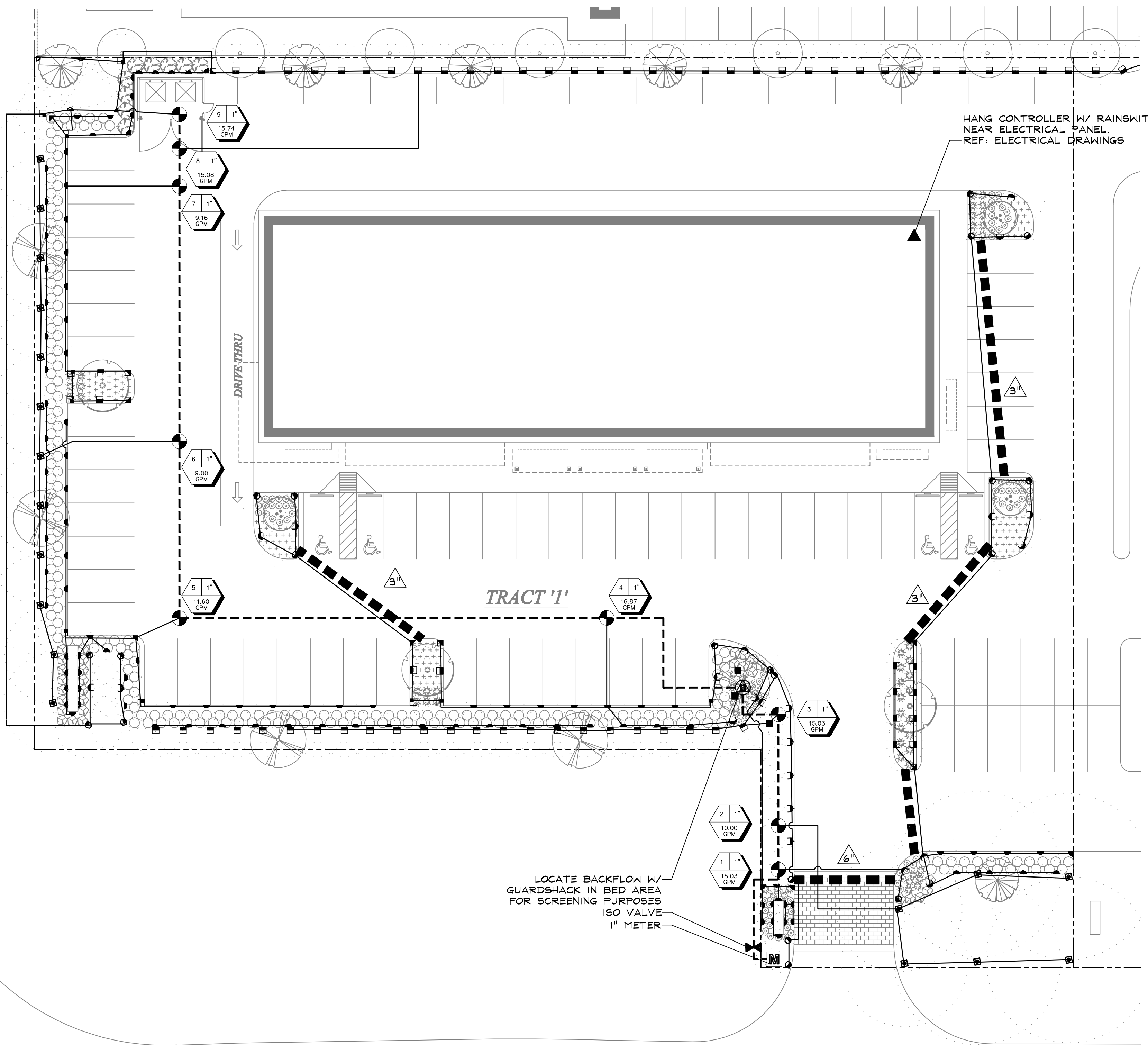
- NOTES
1. USE 4" POP-UPS IN LAWN AREAS.
 2. USE 12" POP-UPS IN BED AREAS.
 3. USE 4" POP-UPS IN FRONT OF HEAD IN PARKING

PIPE SIZING CHART:

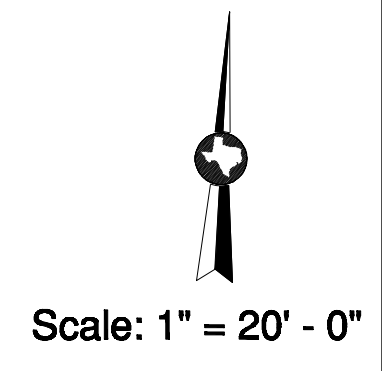
CLASS 200 PVC LATERAL LINES (1/2" IS SCH. 40)	
SIZE	GALLONS
1/2"	0 - 6
3/4"	6.1 - 10
1"	10.1 - 17
1 1/4"	17.1 - 26
1 1/2"	26.1 - 36
2"	36.1 - 55

1. CONTRACTOR SHALL CONTACT DISTRICT OPERATOR FOR REQUIRED INSPECTIONS.
2. SPRAY WILL NOT BE ALLOWED ON ANY IMPERVIOUS SURFACES. ADJUST SPRAYS ACCORDINGLY.
3. ANY AREAS OF LESS THAN 48" SHALL HAVE NO ABOVE GROUND SPRAY AND USE A STRIP SYSTEM.
4. AN AS-BUILT DRAWING WILL BE REQUIRED NO MORE THAN 5 DAYS FOLLOWING COMPLETION OF THE SYSTEM INSTALLATION.

IRRIGATION SYSTEM IS DESIGN FOR A MIN. 40PSI



COUNTY ROAD 101 / BAILEY AVENUE



Job No.: 117-19-061
Scale: 1" = 20' - 0"
Date: Mar. 27, 2019
Revised:

Site Irrigation
Plan

L2.1