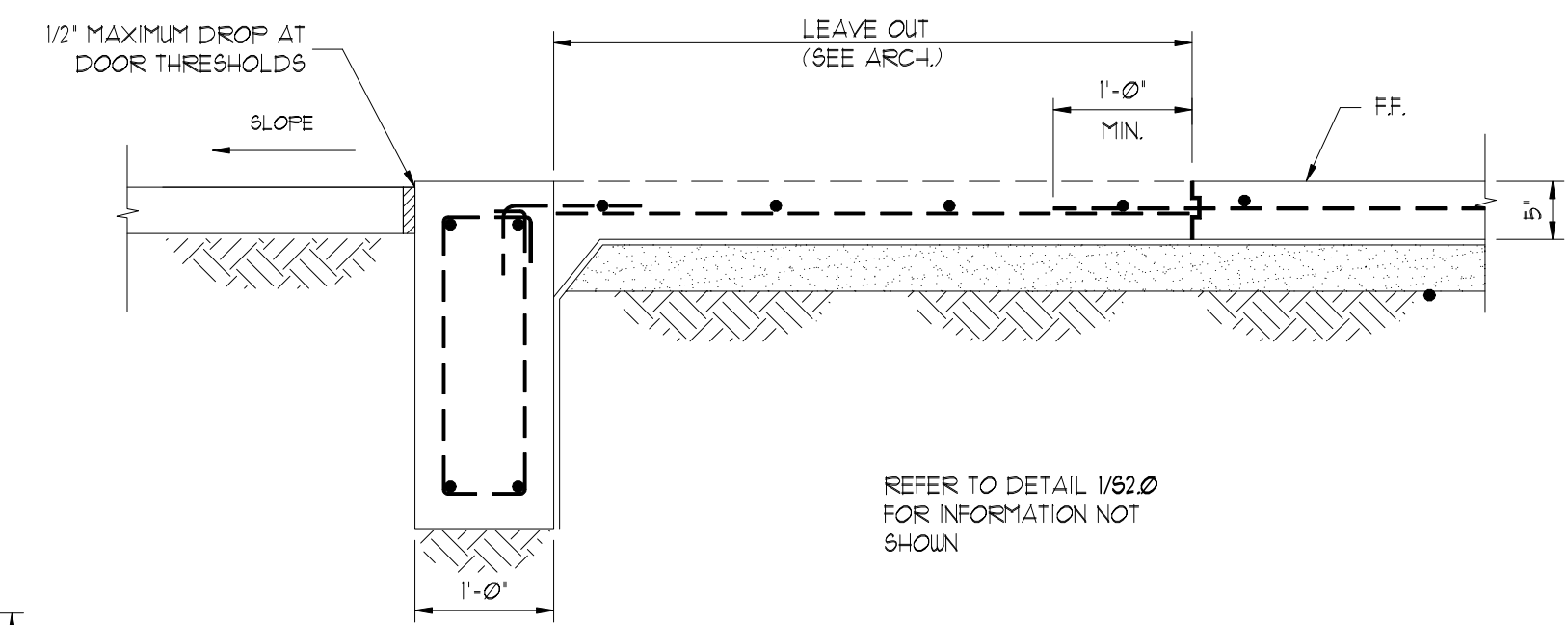
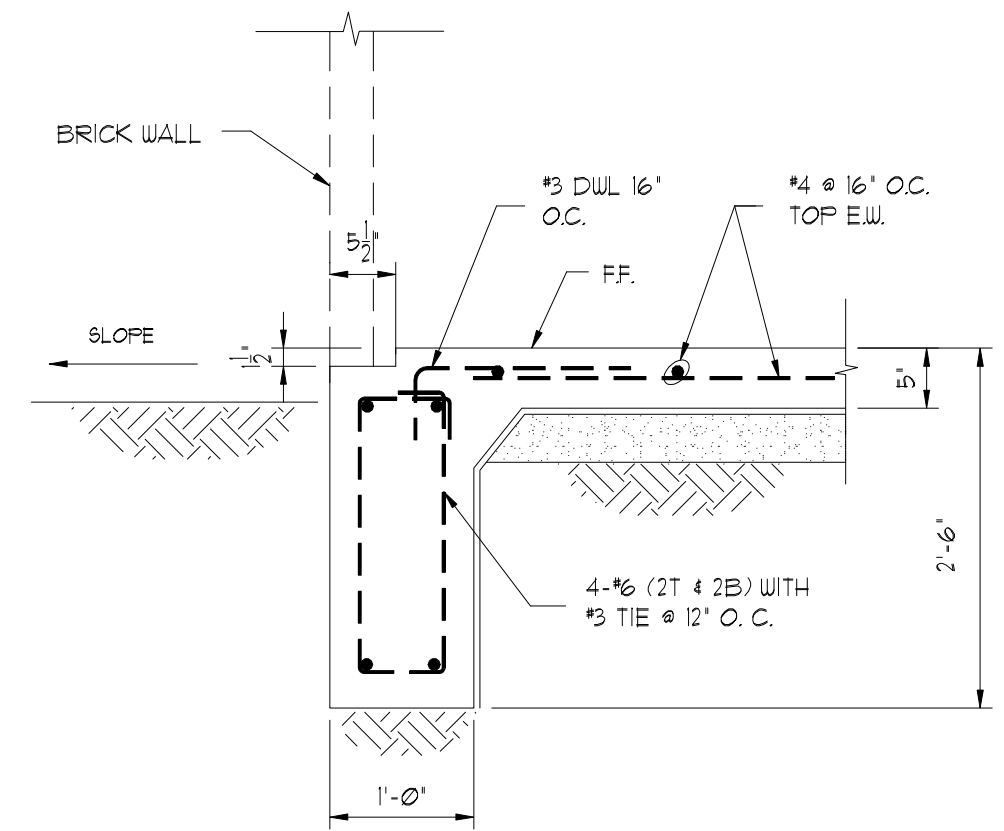


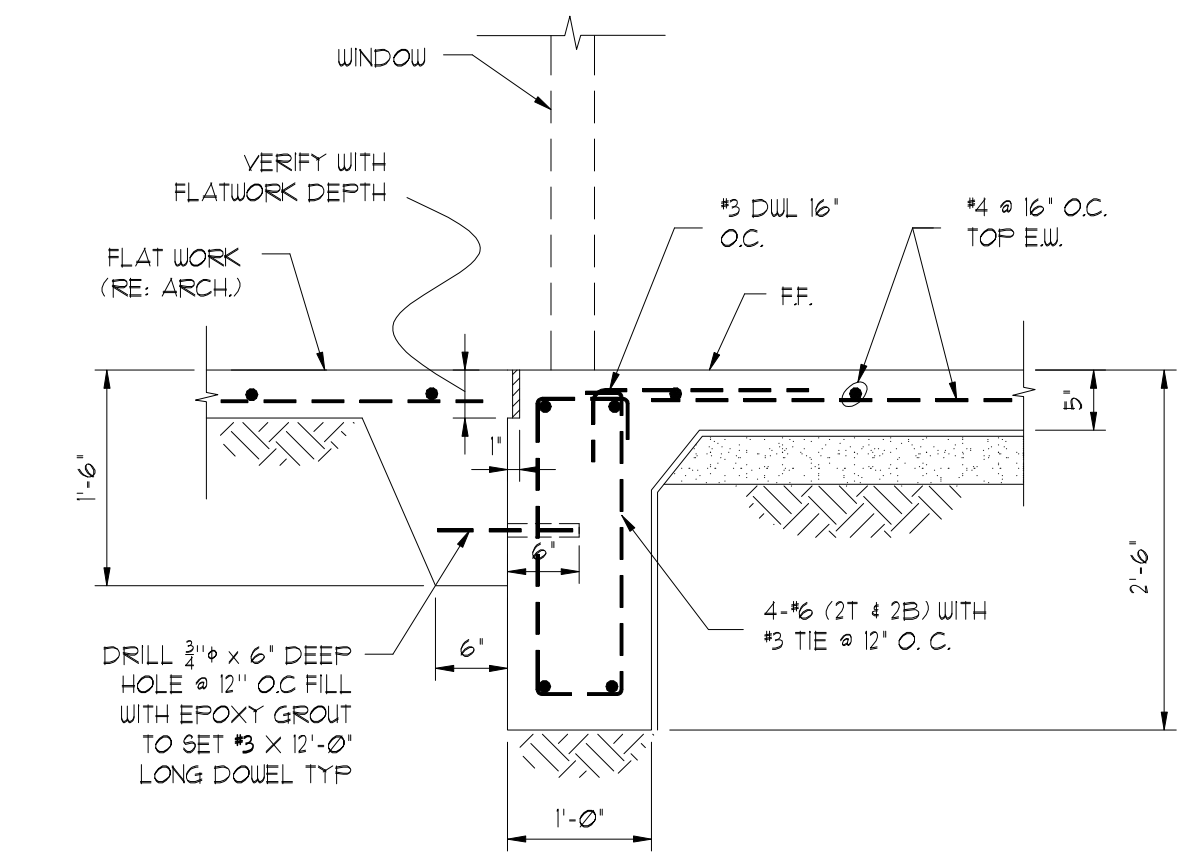
1 SECTION
52.0 NOT TO SCALE



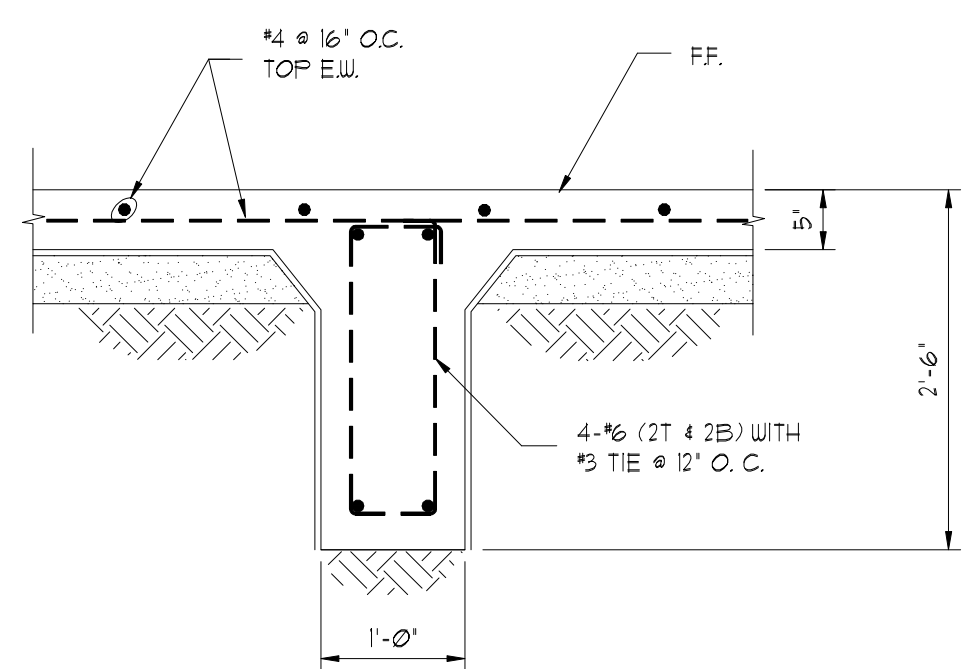
2 SECTION
52.0 NOT TO SCALE



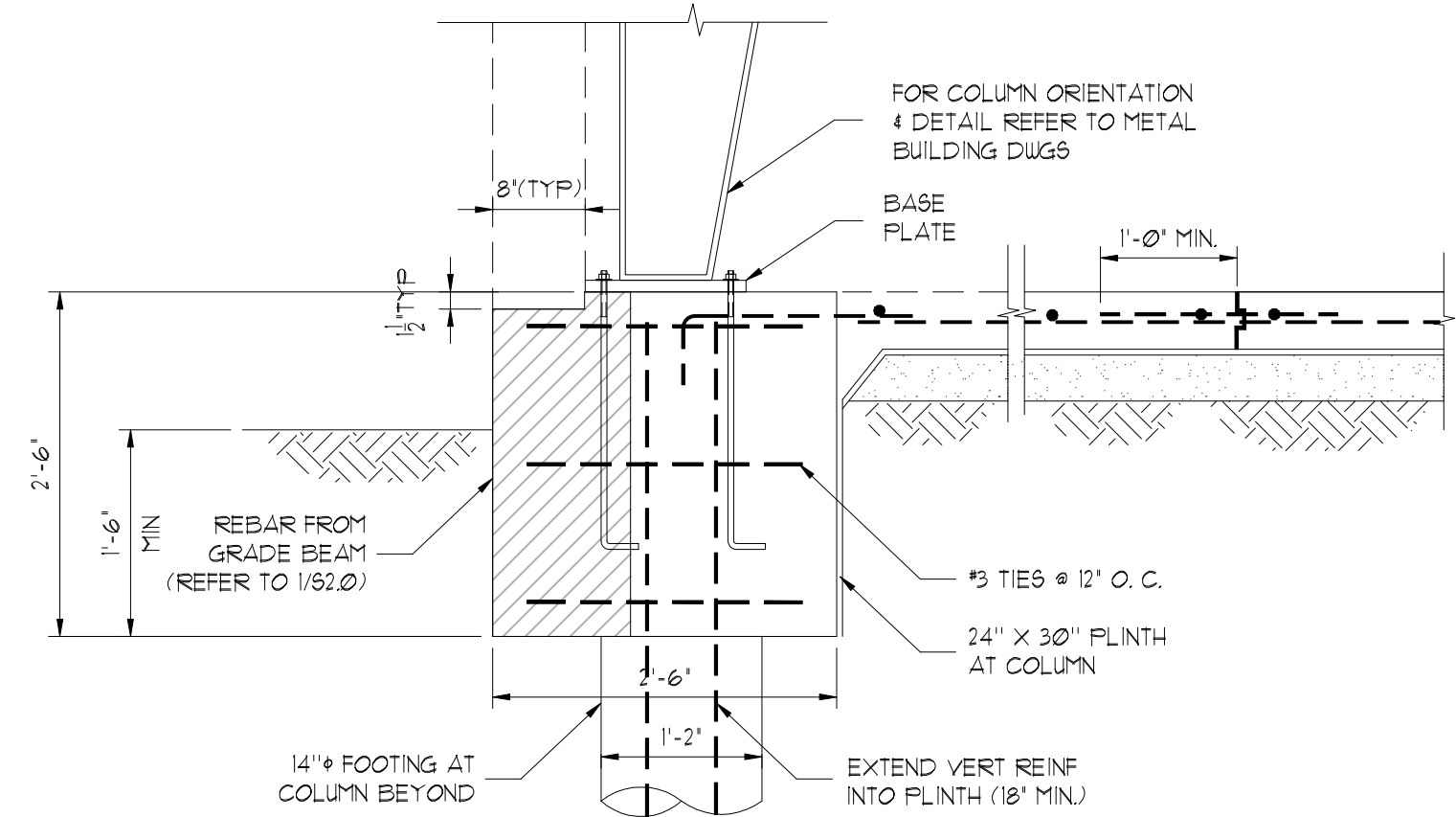
3 SECTION
52.0 NOT TO SCALE



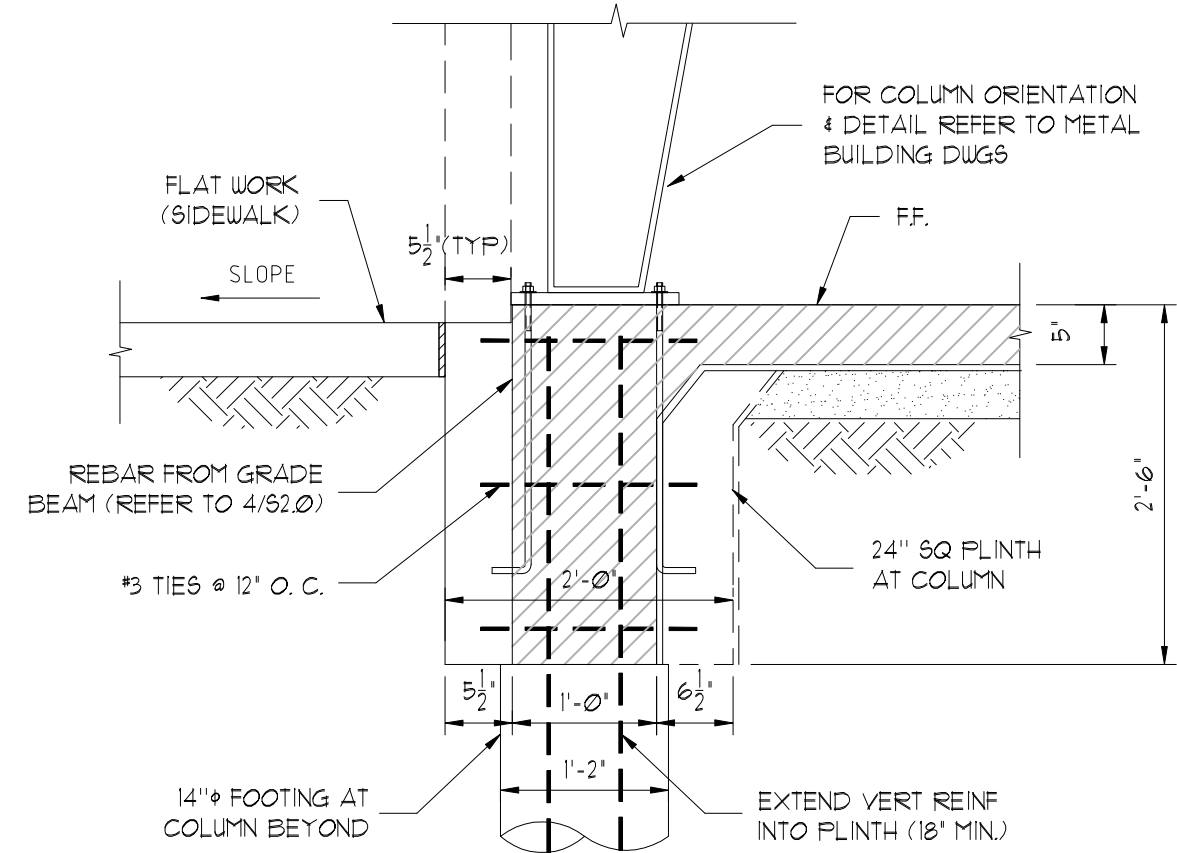
4 SECTION
52.0 NOT TO SCALE



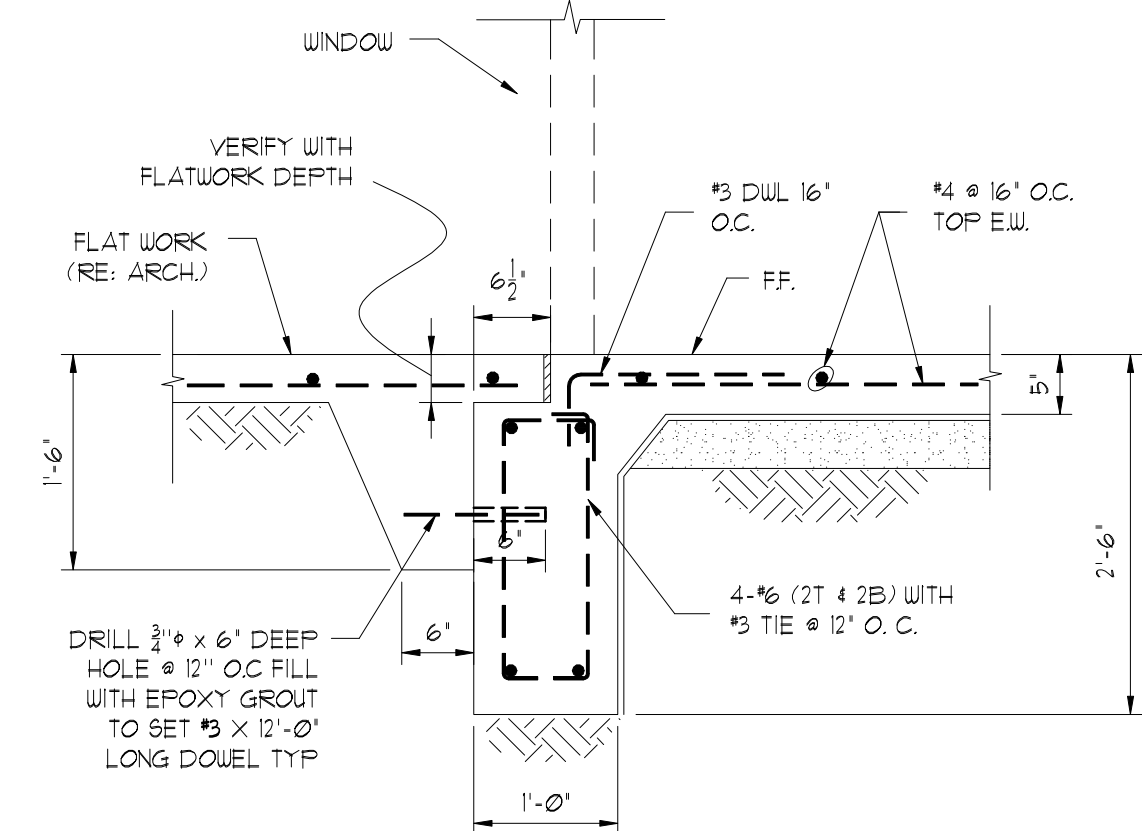
5 SECTION
52.0 NOT TO SCALE



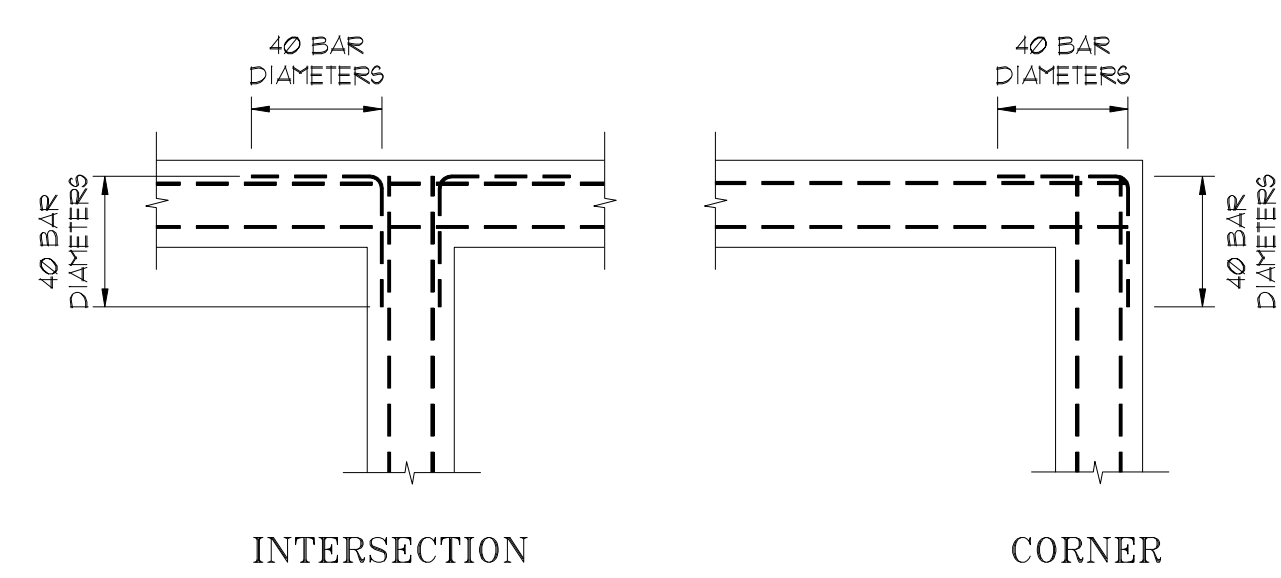
6 SECTION
52.0 NOT TO SCALE



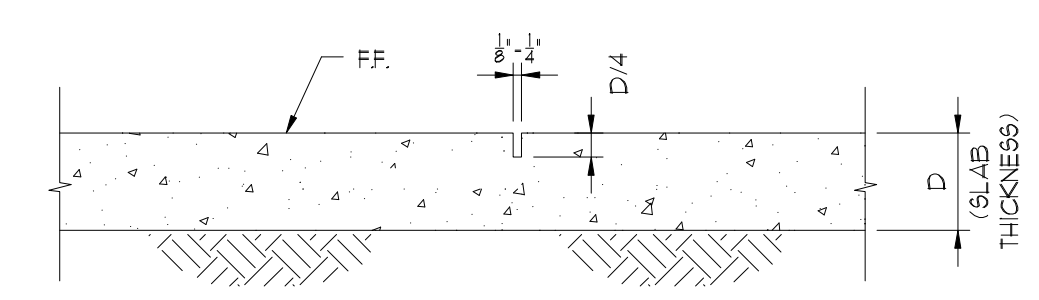
7 SECTION
52.0 NOT TO SCALE



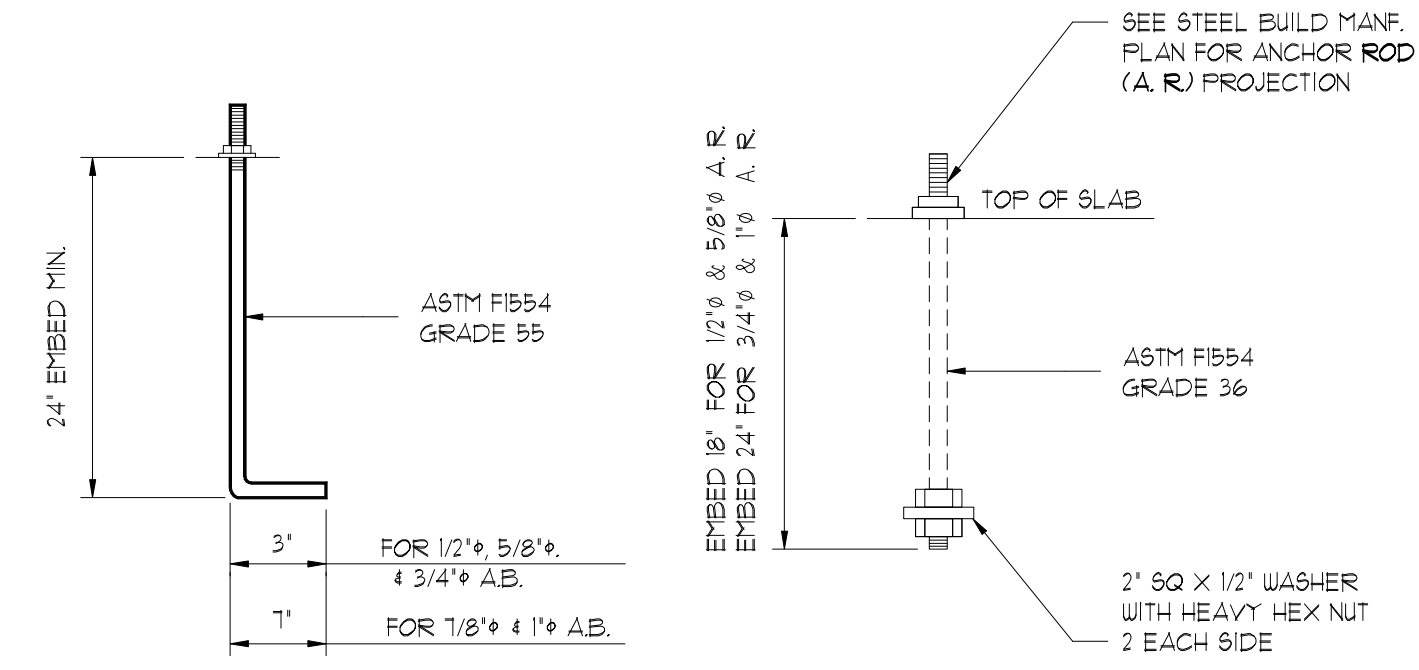
4A SECTION
52.0 NOT TO SCALE



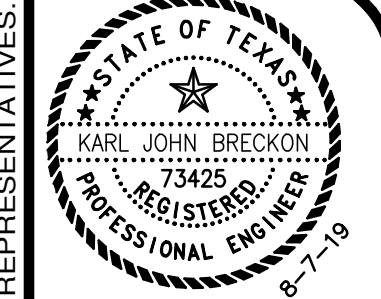
8 TYP. BEAM INTERSECTION
52.0 NOT TO SCALE



9 CONTROL JOINT DETAIL
52.0 NOT TO SCALE



10 ANCHOR ROD AND ANCHOR BOLT DETAIL
52.0 NOT TO SCALE



NO	DATE	ISSUES/REVISIONS
0	06/07/2019	ISSUED FOR PERMIT
1	08/07/2019	REVISED PER CITY COMMENTS

BEC ENGINEERS AND CONSULTANTS, LLC
 BEC ENGINEERS AND CONSULTANTS, LLC
 3200 W. BEACON HILL BLVD., SUITE 100
 MANVEL, TEXAS 77048
 PH: 832-240-9771 | FAX: 832-240-2724
 TEXAS REG. NO. F-18680

NEWQUEST PROPERTIES
JOSEPH M.FOSTER & ASSOCIATES
THE SHOPS AT SEDONA LAKES
MANVEL, TEXAS

REF#: 19-1467-0001
 DRN: YAN CHK: K.B. DES: K.B.
FOUNDATION DETAILS
 SHEET NO. **S2.0**

THIS DRAWING IS THE PROPERTY OF BEC ENGINEERS AND CONSULTANTS, LLC. REG. # F-18680 AND MAY NOT BE REPRODUCED OR USED WITHOUT WRITTEN PERMISSION. ANY UNAUTHORIZED ALTERATION WILL VOID ANY AND ALL RESPONSIBILITY BY BEC, ITS EMPLOYEES AND REPRESENTATIVES.