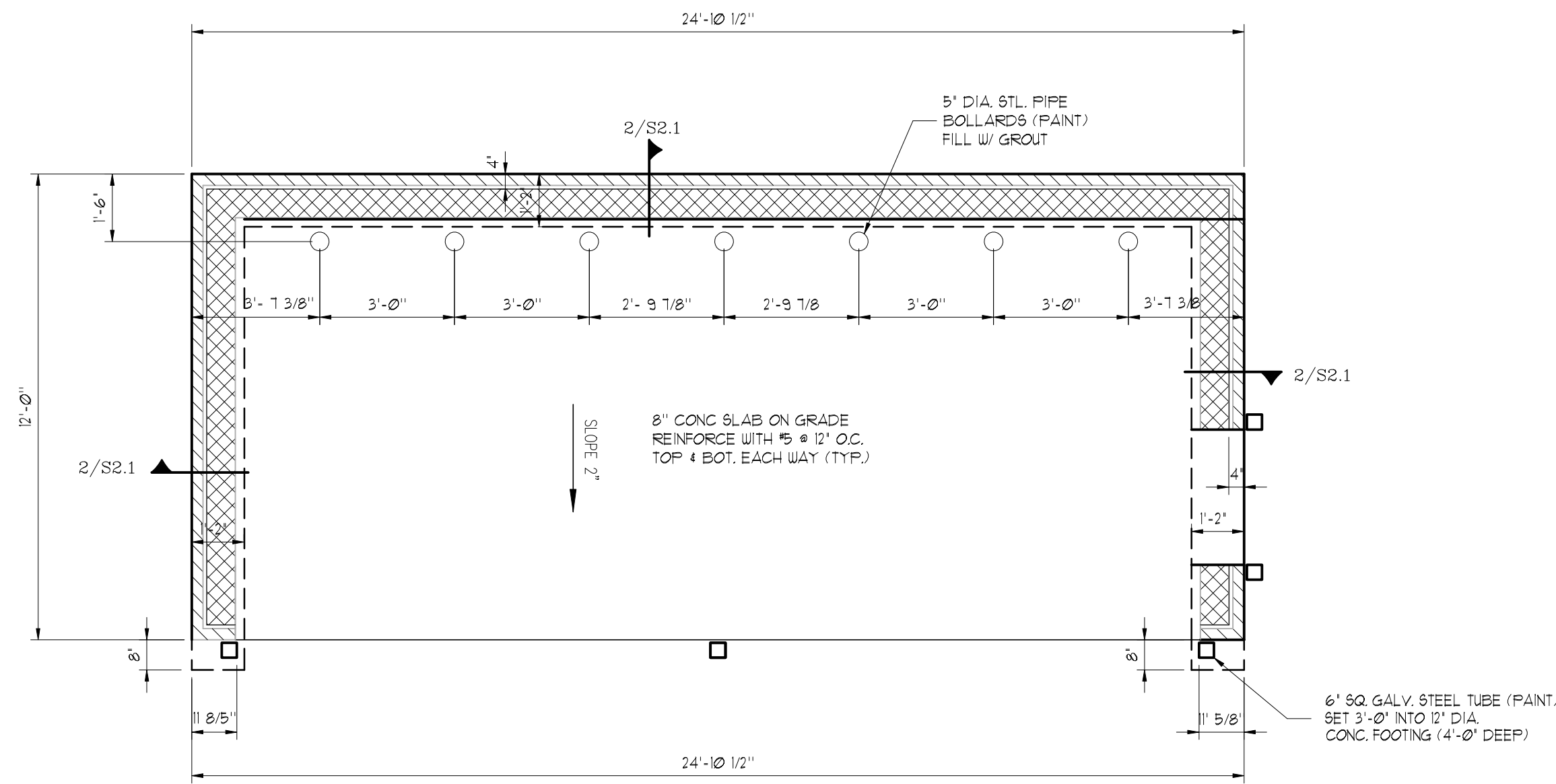
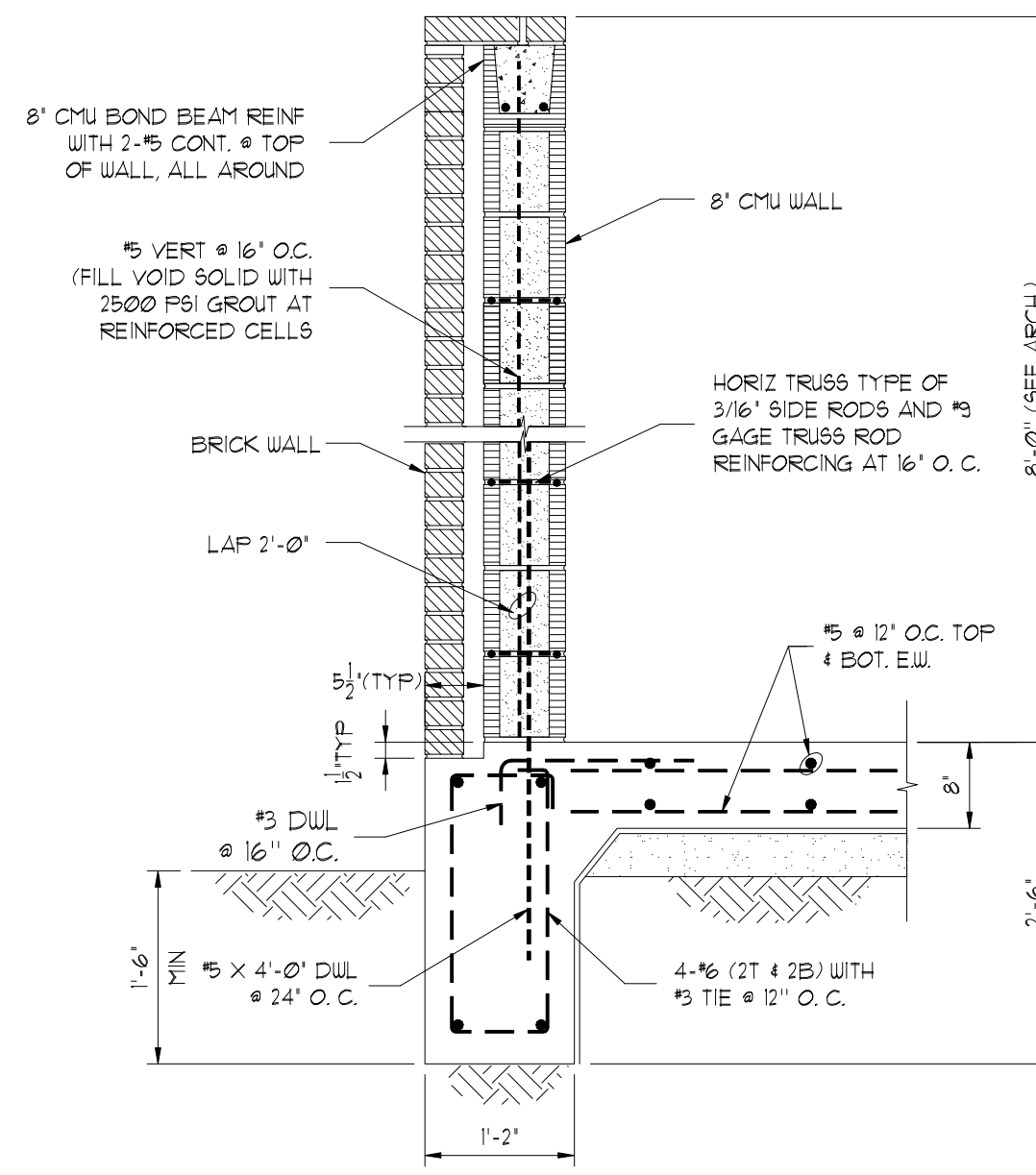


I:\2019\1467 - NewQuest Properties\0001 - The Shops At Sedona Lakes - CR 101 & CR 9A\Structural\Drawings\REV A - 04-03-19\19-1467-0001-The Shops Sedona Struc.Rev A - 4.26.19

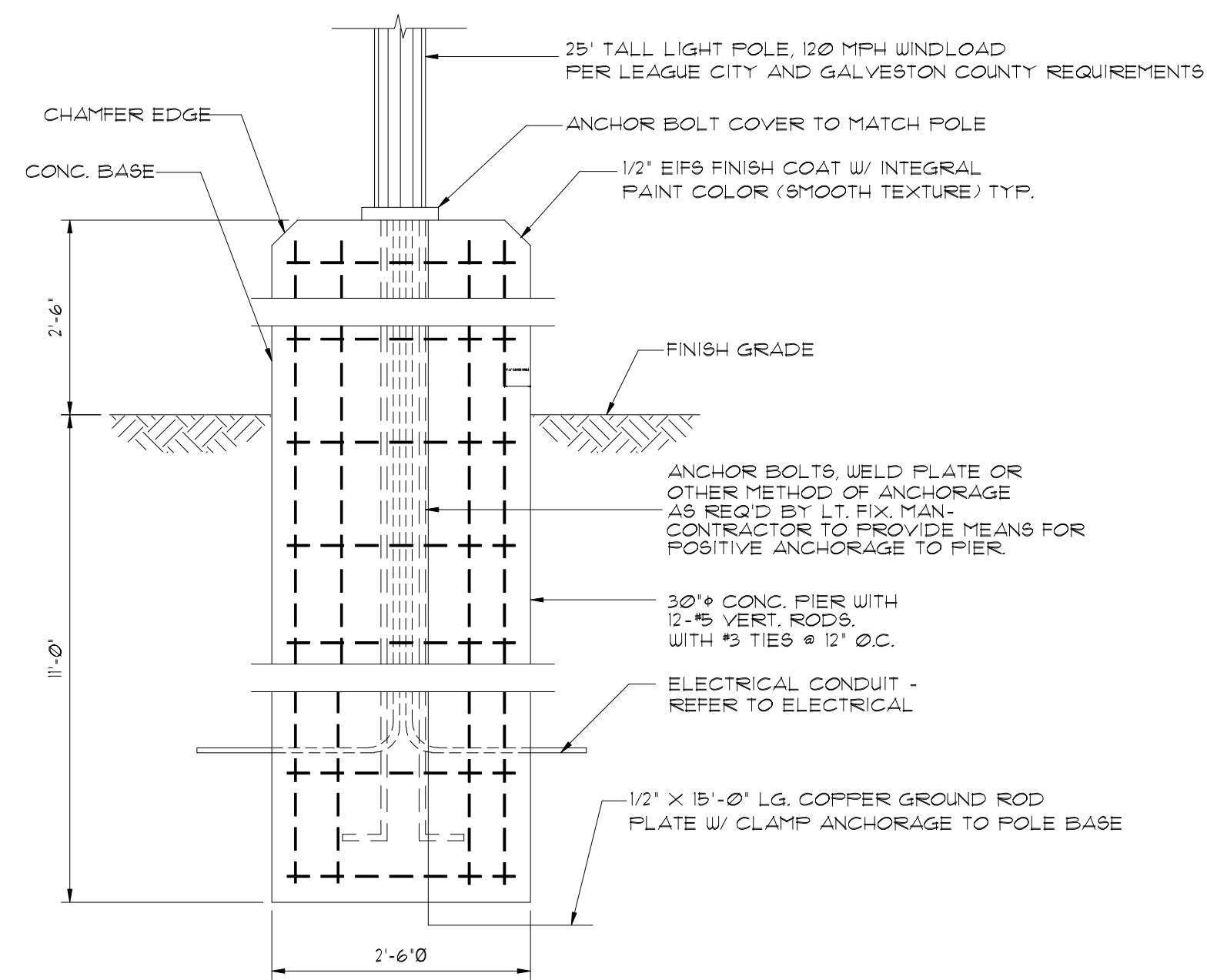


1 DUMPSTER FOUNDATION PLAN
S2.1 NOT TO SCALE

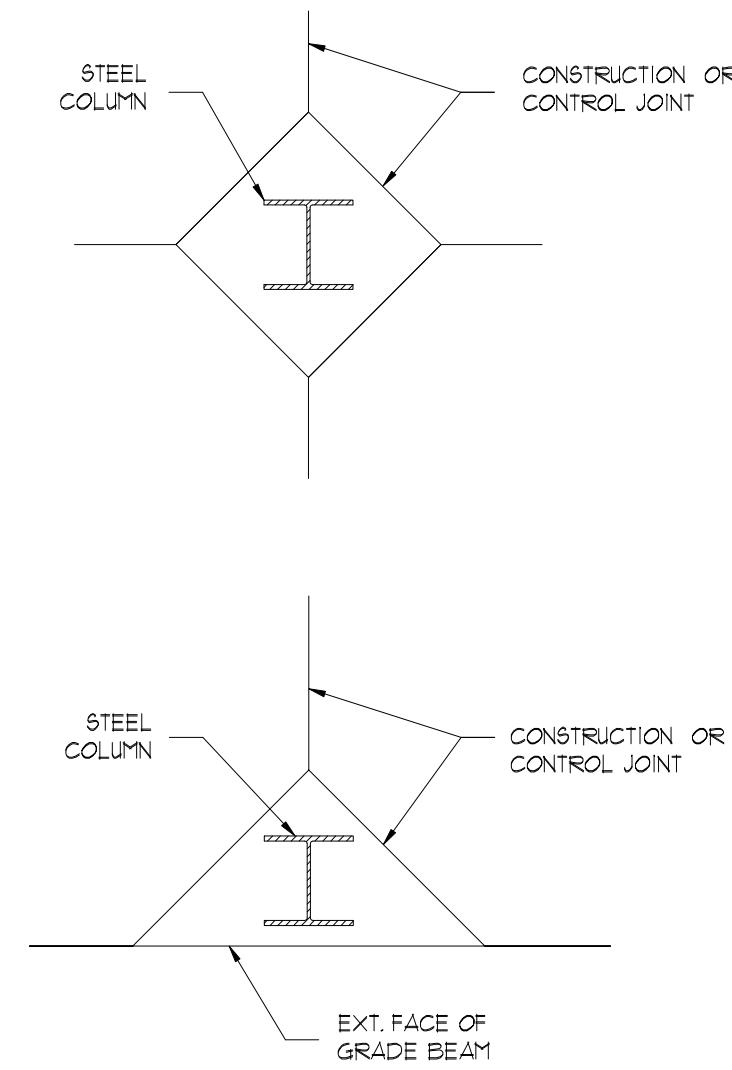


NOTE: REFER TO SITE & ARCH DRAWINGS FOR LOCATIONS

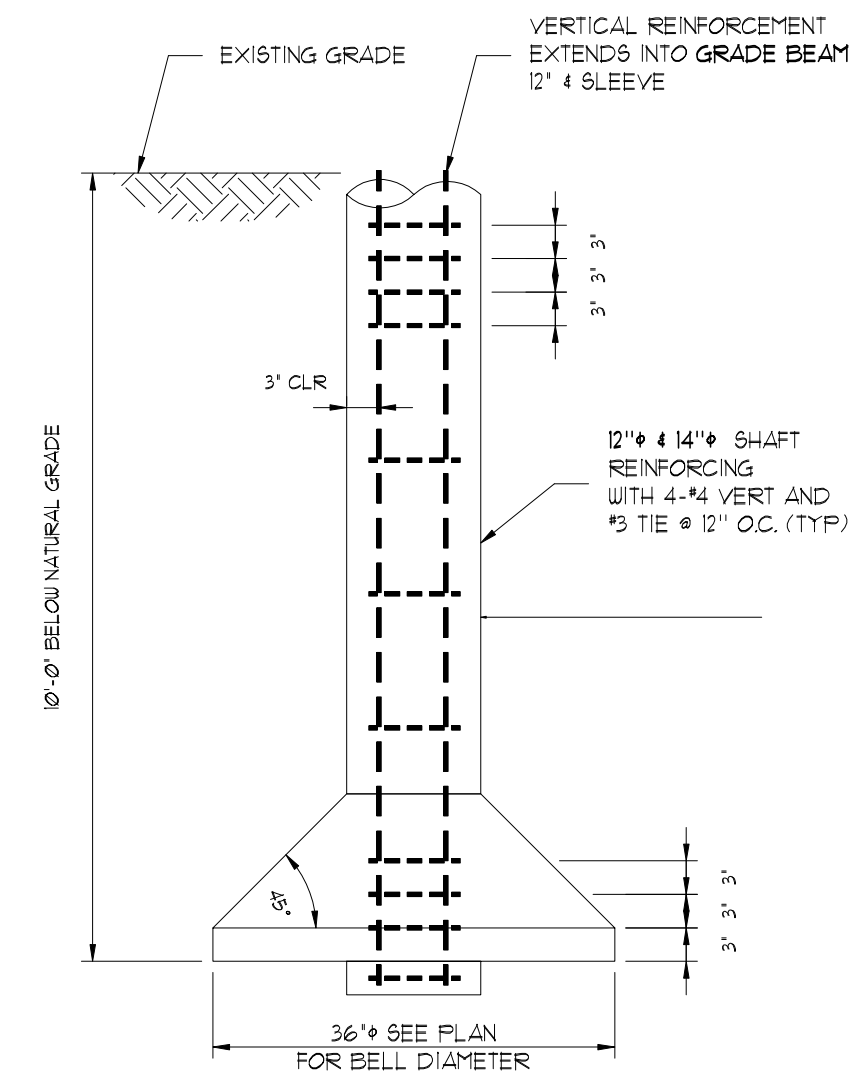
2 DUMPSTER DETAIL
S2.1 NOT TO SCALE



3 LIGHT POLE DETAIL
S2.1 NOT TO SCALE



4 SLAB BLOCK-OUT AT COLUMN
S2.1 NOT TO SCALE



5 TYP. PIERS DETAIL
S2.1 NOT TO SCALE

FOR REVIEW
THIS DOCUMENT IS
RELEASED FOR THE
PURPOSE OF
PRELIMINARY REVIEW UNDER
THE AUTHORITY OF KARL
BRECKON, P.E. 13465 ON
04/25/19 IT IS NOT TO BE
USED FOR CONSTRUCTION
PURPOSES.

NO	DATE	ISSUES/REVISIONS
A	04-25-2019	ISSUED FOR REVIEW

BEC ENGINEERS AND CONSULTANTS, LLC
3200 Wilcrest Dr., Suite 440 | Houston, Texas 77042
Ph: 832.270.2724
TX REG. # 16690

NEWQUEST PROPERTIES
JOSEPH M.FOSTER & ASSOCIATES
THE SHOPS AT SEDONA LAKES
MANVEL, TEXAS

REF #: 19-1467-0001
DRN: YAN CHK: K.B. DES: K.B.

FOUNDATION
DETAILS

SHEET NO.
S2.1

THIS DRAWING IS THE PROPERTY OF BEC ENGINEERS AND CONSULTANTS, LLC. REG. # F-16690 AND MAY NOT BE REPRODUCED OR USED WITHOUT WRITTEN PERMISSION. ANY UNAUTHORIZED ALTERATION WILL VOID ANY AND ALL RESPONSIBILITY BY BEC, ITS EMPLOYEES AND REPRESENTATIVES.